



# MODEL TXB

## BELT DRIVE CENTRIFUGAL UPBLAST ROOF EXHAUSTER



### MODEL FEATURES

- Exhaust air up to 35,000 CFM in high static pressure applications up to 3-1/4" w.g.
- Attractive spun aluminum exterior
- Belt drives permit easy performance adjustments when needed
- Non-overloading backward inclined wheel for efficiency at higher static pressures
- Roof or sidewall mounting options
- AMCA Air and Sound Licensed
- cULus 705 or 762 Listed
- NFPA - suitable for National Fire Protection Association Installations

### APPLICATION CONSTRUCTION OPTIONS

MODEL NAME	TYPICAL APPLICATIONS
TXB	Removal of clean or contaminated air in general applications
TXBRHUL	UL762 listed for grease removal
TXBHP	High Pressure version of TXB
TXBHP-RHUL	UL762 High Pressure version of TXB
TXBW	Wall mount version of TXB
TXBWRHUL	UL762 version of TXBW
TXBWHP	High Pressure version of TXBW
TXBWHPRHUL	UL762 High Pressure version of TXBW

### MODEL OVERVIEW

Model TXB belt drive fans are designed to exhaust air up to 35,000 CFM in high static pressure applications to 3-1/4". The aluminum exterior provides an attractive appearance. Belt drive results in lower operating RPM and sound levels, making the Model TXB well suited to applications where quiet operation is important. Belt drive also permits easy performance adjustments when needed to balance the total ventilation system. The non-overloading backward inclined wheel with its higher static pressure capability makes this unit suitable for either ducted or nonducted applications. It's roof or sidewall mounting options permit location near the area to be ventilated, allowing short duct runs and more efficient operation.

Isolation of motor and drive components from the airstream and the high velocity vertical air discharge make the Model TXB ideally suited for the removal of dirty contaminated and/or high temperature air from processes and buildings. Typical applications include restaurant hoods and similar kitchen exhaust ventilation, fume and smoke removal, laboratory fume hood exhaust and chemical process exhaust. The TXB line of fans is available in a variety of construction options, see the chart above for the TXB that is right for your application.

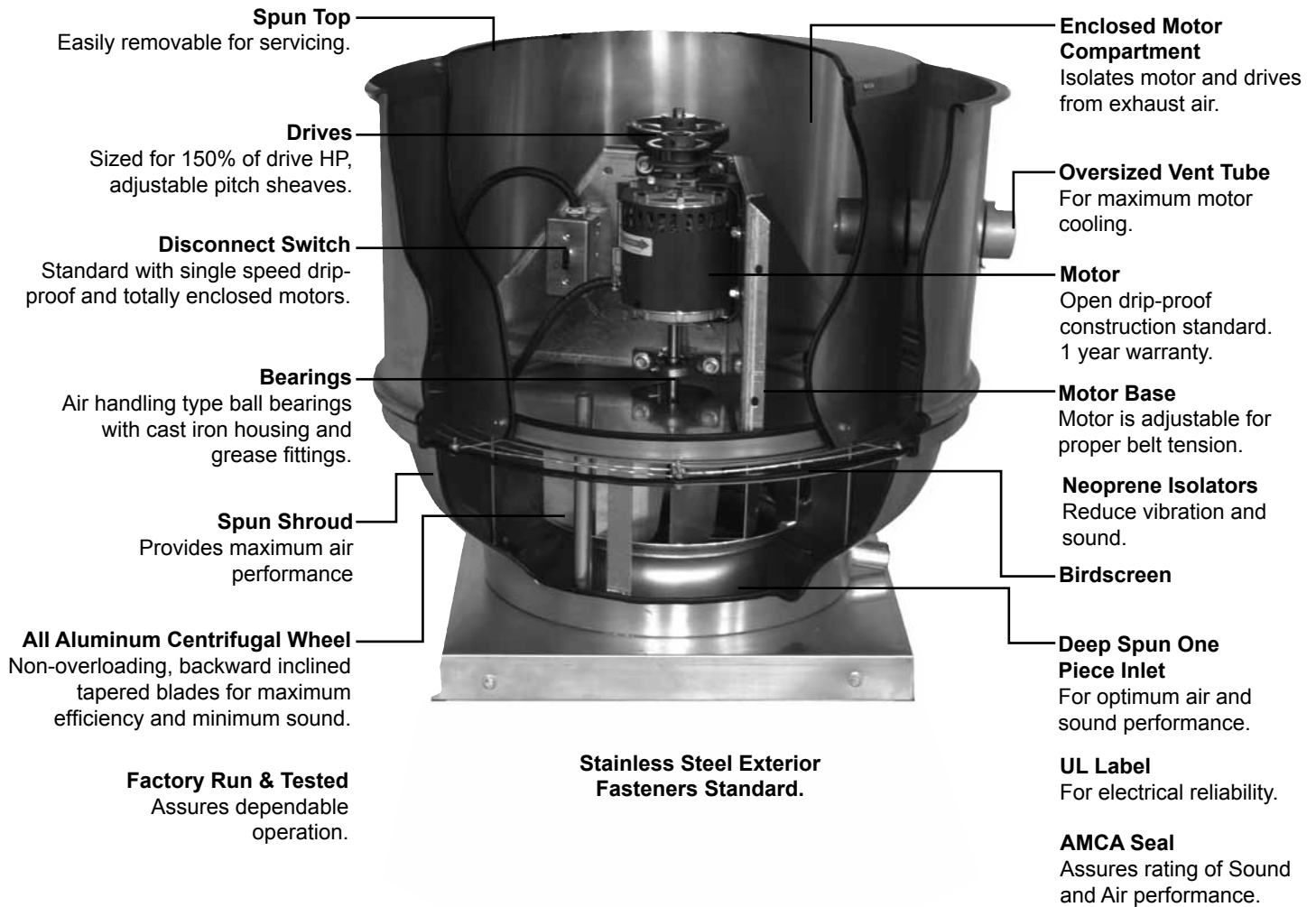
**Industry best 5 year fan housing warranty, 1 year motor warranty  
TXBRHUL units have 1 year fan housing warranty**

All specifications are subject to change without notice unless approved in submittal by Soler & Palau.



## **STANDARD CONSTRUCTION FEATURES AND OPTIONS**

### **Model TXB**

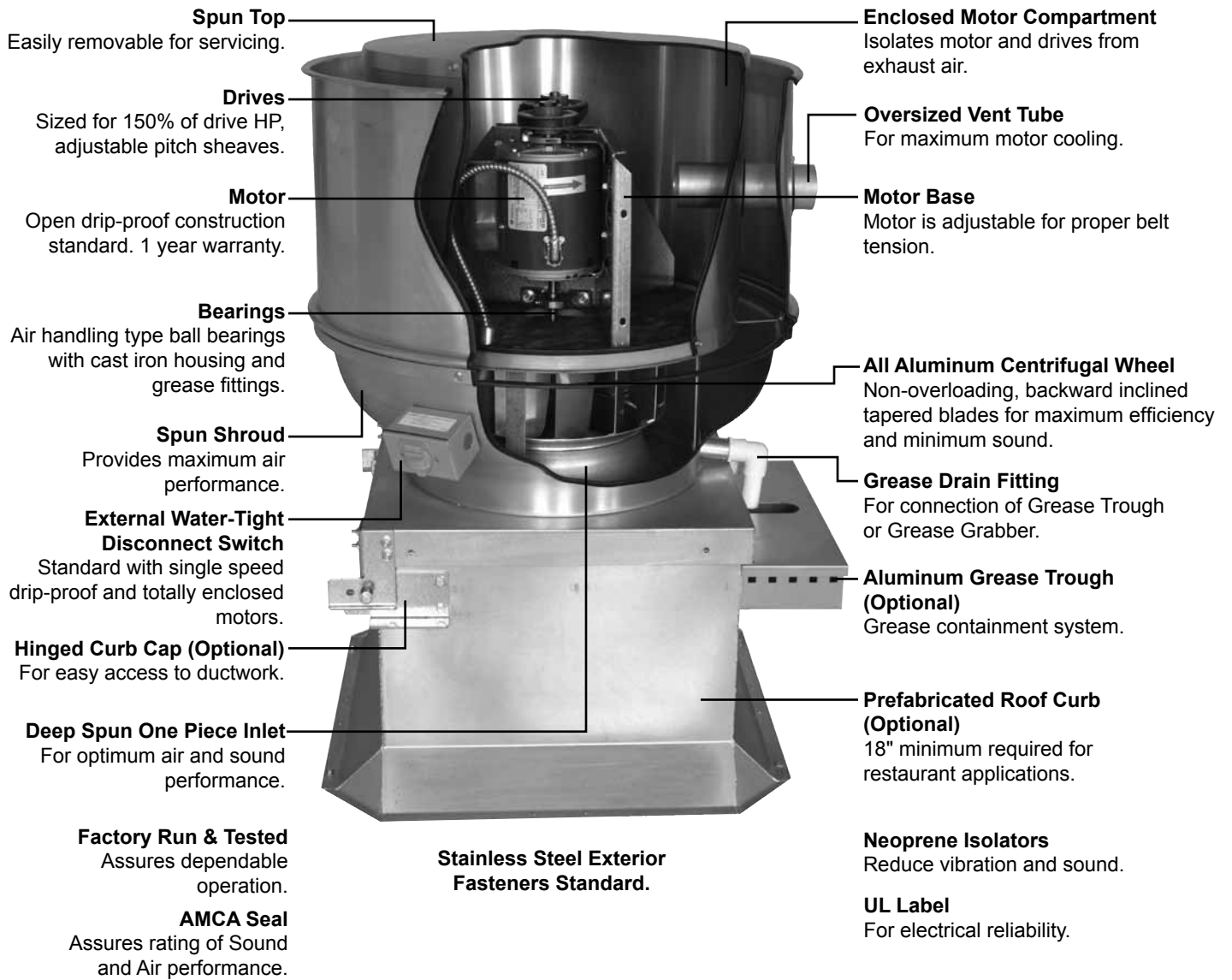


**Industry best 5 year fan housing warranty, 1 year motor warranty**



# **STANDARD CONSTRUCTION FEATURES AND OPTIONS**

## **Model TXB-UL762 Restaurant Exhaust**



**1 year fan housing warranty, 1 year motor warranty**



## **CONSTRUCTION/SPECIFICATION CHECKLIST**

### **Housing**

- Curb cap with integral deep single piece spun inlet for efficient performance and prevention of leakage into ductwork.
- Heavy-gauge aluminum housing and curb cap for strength and rigidity. Curb cap is galvanized steel on all UL 762 units.
- Adjustable motor base for proper belt tension and ease of adjustment.
- Enclosed ventilated motor/drive compartment isolates motor and drives from exhaust air.
- Neoprene isolators for reduction of vibration and sound.
- Quick-Release latches on motor cover for easy access to motor compartment.
- Water-tight conduit tube for easy electrical connection without having to wire through the breather tube.
- Birdscreen included on standard models (not included on UL762 units).

### **Centrifugal Wheel**

- Backward inclined for efficiency at higher static pressure.
- Non-overloading for safe operation in ducted systems.
- Heavy aluminum hub for extra strength.
- Close running tolerance between inlet cone and wheel inlet for maximum efficiency.
- Statically and dynamically balanced for smooth quiet operation.

### **Motors**

- Brands are nationally recognized and locally serviced.
- Single speed drip-proof motors are provided on standard models.
- Disconnect switch is standard with single speed open drip-proof and totally enclosed motors.
- Welded motor brackets designed for maximum strength.

### **Drives**

- Sized for minimum 150% of drive horse power.
- Machined cast iron adjustable motor pulleys.
- Adjustable base for belt tensioning.
- Nonstatic oil resistant V-Belts.

### **Bearings**

- 5 year bearing warranty.
- Heavy-duty ball bearing type.
- Prelubricated and permanently sealed.
- Sized for a minimum L50 life in excess of 200,000 hours.

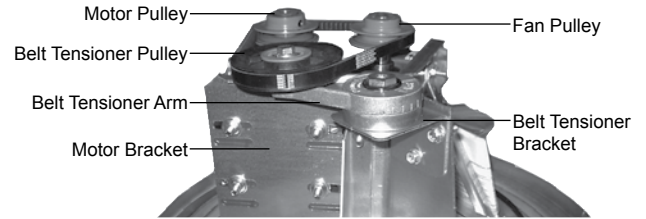
### **Certifications**

- AMCA Air and Sound Licensed.
- cULus 705 Listed Power Roof Ventilator label assures electrical reliability.
- UL 762 Listed for Restaurant Exhaust Appliance available for applications where required.
- cULus 705 and UL 762 assure electrical reliability for Canadian use.
- cULus label must be specified when needed.
- NFPA - Model TXB is suitable for National Fire Protection Association installations. Contact factory for required accessories.



## OPTIONS/ACCESSORIES

**Automatic Belt Tensioner:** Available on sizes 8-24, The Automatic Belt Tensioners eliminate the need for regular manual retensioning of drives, and the risk of inadvertently over-tensioning drive components is avoided and overall drive operating efficiency is enhanced. Benefits include reduction in startup and maintenance costs, increased belt life, increased drive efficiency, and ensure drive components do not snag obstructions.



**Roof Curb:** Prefabricated heavy-gauge galvanized steel, clip lock, 14” high (other heights are also available) with 1-1/2” wood nailer. Assures perfect fit of exhauster to roof opening. Options include burglar bars, single or double pitch construction and hinged curbs for easy duct access. Welded & custom curbs available.

**Common Curb:** Designed to allow both the supply fan and exhaust fan to be mounted on the same curb. This curb requires only one roof opening and speeds installation time.

**Motor Operated Damper:** Motor operated aluminum damper for positive closure against backdraft. (Not for UL762 use).



**Automatic Damper:** Automatic aluminum damper for ease in installation and effective backdraft protection. (Not for UL762 use).

**Grease Grabber or Aluminum Grease Trough:** Trap designed for fast and inexpensive replacement. Grease collects in a container for safe and sanitary disposal. Keeps roof clean with proper use.

**Wall Mount Kit:** Kit allows 8-24” fans to be wall mounted. Assembled as standard on all TXDW units, not available for not wall mount units. See current submittal for details.

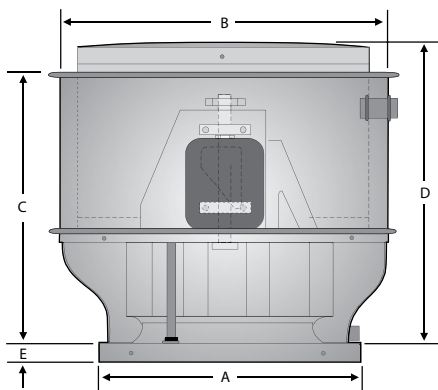
**Special Coatings:** Powered roof exhausters often require special coatings for protective and decorative purposes. Available coatings include: Synthetic Resin, Epoxy, and Heresite (air-dried phenolic). Contact your representative or the factory for more information on available coatings and colors.

**Curb Hinge Arrangement:** The curb hinge arrangement provides easy access to the exhaust fan, backdraft damper, and duct for servicing and cleaning.



# PERFORMANCE/DIMENSIONS

## SIZE 8



Dimensions (in.)				
A	B	C	D	E
16-1/2	24	24	27	1-3/4

Dimensional Data				Metal Thickness			Avg. Ship Wt. (lbs.)
Damper		Roof Opening	Curb OD	Curb Cap	Wind Band	Motor Cover	
ID	OD						
11	11	11-3/4	14-3/4	.063	.050	.050	68

CFM / BHP @ Static Pressure / Sones													RPM	HP	Tip Speed
0	1/8	1/4	3/8	1/2	5/8	3/4	1	1-1/4	1-1/2	1-3/4	2	Catalog Number			
431	301	-	-	-	-	-	-	-	-	-	-	TXB-801	800	1/4	2130
0.01/3.8	0.01/2.5	-	-	-	-	-	-	-	-	-	-	-	-	-	-
485	379	-	-	-	-	-	-	-	-	-	-	TXB-802	900	1/4	2396
0.02/4.6	0.02/3.5	-	-	-	-	-	-	-	-	-	-	-	-	-	-
512	409	224	-	-	-	-	-	-	-	-	-	TXB-803	950	1/4	2629
0.02/5.1	0.02/4.1	0.02/3.1	-	-	-	-	-	-	-	-	-	-	-	-	-
538	439	294	-	-	-	-	-	-	-	-	-	TXB-804	1000	1/4	2662
0.03/5.6	0.03/4.7	0.03/3.6	-	-	-	-	-	-	-	-	-	-	-	-	-
565	468	347	-	-	-	-	-	-	-	-	-	TXB-805	1050	1/4	2796
0.03/6.1	0.03/5.3	0.03/4.2	-	-	-	-	-	-	-	-	-	-	-	-	-
592	496	399	-	-	-	-	-	-	-	-	-	TXB-806	1100	1/4	2929
0.04/6.6	0.03/5.8	0.04/4.8	-	-	-	-	-	-	-	-	-	-	-	-	-
619	525	441	249	-	-	-	-	-	-	-	-	TXB-807	1150	1/4	3062
0.04/7.2	0.04/6.4	0.04/5.4	0.04/4.5	-	-	-	-	-	-	-	-	-	-	-	-
646	554	480	329	-	-	-	-	-	-	-	-	TXB-808	1200	1/4	3195
0.05/7.8	0.05/7.0	0.05/6.0	0.04/5.1	-	-	-	-	-	-	-	-	-	-	-	-
673	583	519	389	-	-	-	-	-	-	-	-	TXB-809	1250	1/4	3328
0.05/8.4	0.05/7.6	0.06/6.6	0.05/5.7	-	-	-	-	-	-	-	-	-	-	-	-
700	612	553	439	221	-	-	-	-	-	-	-	TXB-810	1300	1/4	3461
0.06/9.0	0.06/8.2	0.06/7.2	0.06/6.3	0.06/5.6	-	-	-	-	-	-	-	-	-	-	-
727	641	583	492	328	-	-	-	-	-	-	-	TXB-811	1350	1/4	3594
0.06/9.7	0.06/8.8	0.07/7.8	0.07/7.0	0.06/6.2	-	-	-	-	-	-	-	-	-	-	-
781	698	641	571	456	236	-	-	-	-	-	-	TXB-812	1450	1/4	3861
0.08/10.7	0.08/9.9	0.6/9.0	0.09/8.1	0.08/7.4	0.08/6.7	-	-	-	-	-	-	-	-	-	-
818	738	681	628	526	384	-	-	-	-	-	-	TXB-813	1520	1/4	4047
0.09/11.4	0.09/10.6	0.06/9.8	0.10/9.0	0.11/8.2	0.09/7.5	-	-	-	-	-	-	-	-	-	-
856	777	722	676	595	476	-	-	-	-	-	-	TXB-814	1590	1/4	4233
0.11/12.2	0.11/11.3	0.11/10.6	0.11/9.8	0.11/9.1	0.10/8.4	-	-	-	-	-	-	-	-	-	-
896	820	766	721	653	553	420	-	-	-	-	-	TXB-815	1665	1/4	4433
0.12/13.0	0.12/12.2	0.12/11.5	0.13/10.7	0.13/10.0	0.13/9.3	0.12/8.7	-	-	-	-	-	-	-	-	-
972	899	846	802	761	687	587	-	-	-	-	-	TXB-816	1805	1/4	4806
0.15/14.5	0.16/13.9	0.15/13.3	0.16/12.6	0.17/11.8	0.17/11.1	0.16/10.6	-	-	-	-	-	-	-	-	-
993	921	869	825	786	717	627	334	-	-	-	-	TXB-817	1845	1/4	4912
0.17/15.0	0.17/14.4	0.16/13.8	0.17/13.1	0.18/12.4	0.18/11.6	0.18/11.1	0.17/10.0	-	-	-	-	-	-	-	-
1034	962	912	869	831	777	706	481	-	-	-	-	TXB-818	1920	1/4	5112
0.19/16.0	0.19/15.4	0.19/14.8	0.19/14.1	0.19/13.4	0.20/12.8	0.20/12.1	0.18/11.0	-	-	-	-	-	-	-	-
1074	1005	955	912	875	834	766	583	-	-	-	-	TXB-819	1995	1/4	5312
0.21/17.1	0.21/16.4	0.21/15.9	0.21/15.2	0.21/14.5	0.22/13.8	0.22/13.2	0.20/12.1	-	-	-	-	-	-	-	-
1115	1047	998	955	918	883	824	664	390	-	-	-	TXB-820	2070	1/4	5511
0.23/18.1	0.24/17.5	0.23/16.9	0.23/16.3	0.27/15.6	0.25/14.9	0.25/14.3	0.24/13.1	0.23/12.1	-	-	-	-	-	-	-
1141	1075	1026	984	947	913	865	713	493	-	-	-	TXB-821	2120	1/3	5644
0.25/18.8	0.25/18.2	0.25/17.6	0.25/17.1	0.25/16.3	0.26/15.6	0.27/15.0	0.27/13.8	0.24/12.9	-	-	-	-	-	-	-
1222	1159	1111	1070	1034	1001	969	858	697	-	-	-	TXB-822	2270	1/3	6044
0.31/21	0.31/20	0.31/19.9	0.31/19.3	0.31/18.6	0.31/18.0	0.33/17.3	0.33/16.1	0.30/15.0	-	-	-	-	-	-	-

Power Ratings (BHP) does not include drive losses.  
Performance certified is for installation type A - free inlet, free outlet.  
Performance ratings do not include the effects of birdscreen in the airstream.  
The sound ratings shown are loudness values in fan sones @ 5' (1.5m) in a hemispherical free field calculated per AMCA Standard 301. Values shown are for: Installation Type A: free inlet hemispherical sone levels.



S&P, Div. of Soler & Palau Ventilation Group, certifies that the Models TXB shown herein are licensed to bear the AMCA Seal. The ratings shown are based on test and procedures performed in accordance with AMCA Publication 211 and AMCA Publication 311 and comply with the requirement of the AMCA Certified Ratings Program.



UL STANDARD 705 for Electrical  
UL STANDARD 762 for  
Grease Removal

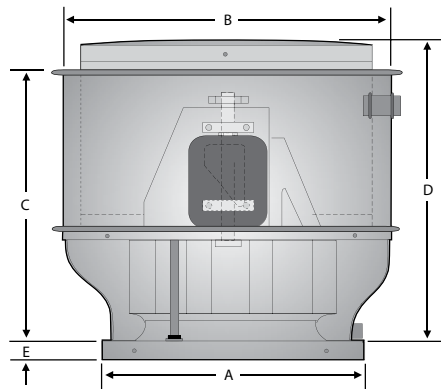




**MODEL TXB**  
BELT DRIVE CENTRIFUGAL UPBLAST ROOF EXHAUSTER



**SIZE 10**



Dimensions (in.)				
A	B	C	D	E
16-1/2	27	26	29	1-3/4

Dimensional Data				Metal Thickness			Avg. Ship Wt. (lbs.)
Damper		Roof Opening	Curb OD	Curb Cap	Wind Band	Motor Cover	
ID	OD						
11	11	11-3/4	14-3/4	.063	.050	.050	70

CFM / BHP @ Static Pressure / Sones													Catalog Number	RPM	HP	Tip Speed
0	1/8	1/4	3/8	1/2	5/8	3/4	1	1-1/4	1-1/2	1-3/4	2					
628	386	-	-	-	-	-	-	-	-	-	-	-	TXB-1001	640	1/4	2052
0.02/2.9	0.02/1.9	-	-	-	-	-	-	-	-	-	-	-	-	-	-	-
667	448	-	-	-	-	-	-	-	-	-	-	-	TXB-1002	680	1/4	2181
0.03/3.3	0.03/2.3	-	-	-	-	-	-	-	-	-	-	-	-	-	-	-
706	506	-	-	-	-	-	-	-	-	-	-	-	TXB-1003	720	1/4	2309
0.03/3.7	0.03/2.8	-	-	-	-	-	-	-	-	-	-	-	-	-	-	-
746	560	-	-	-	-	-	-	-	-	-	-	-	TXB-1004	760	1/4	2437
0.04/4.2	0.04/3.3	-	-	-	-	-	-	-	-	-	-	-	-	-	-	-
785	612	349	-	-	-	-	-	-	-	-	-	-	TXB-1005	800	1/4	2566
0.05/4.8	0.05/3.8	0.04/3.5	-	-	-	-	-	-	-	-	-	-	-	-	-	-
863	711	504	-	-	-	-	-	-	-	-	-	-	TXB-1006	880	1/4	2822
0.06/5.8	0.06/4.9	0.06/4.4	-	-	-	-	-	-	-	-	-	-	-	-	-	-
903	758	570	-	-	-	-	-	-	-	-	-	-	TXB-1007	920	1/4	2950
0.07/6.3	0.07/5.5	0.07/4.9	-	-	-	-	-	-	-	-	-	-	-	-	-	-
981	851	689	471	-	-	-	-	-	-	-	-	-	TXB-1008	1000	1/4	3207
0.09/7.5	0.09/6.6	0.09/6.0	0.09/5.8	-	-	-	-	-	-	-	-	-	-	-	-	-
1020	896	745	550	242	-	-	-	-	-	-	-	-	TXB-1009	1040	1/4	3335
0.10/8.0	0.11/7.2	0.11/6.6	0.10/6.3	0.08/6.3	-	-	-	-	-	-	-	-	-	-	-	-
1099	985	851	687	468	-	-	-	-	-	-	-	-	TXB-1010	1120	1/4	3592
0.13/9.3	0.13/8.4	0.13/7.8	0.13/7.3	0.12/7.3	-	-	-	-	-	-	-	-	-	-	-	-
1128	1017	889	734	534	-	-	-	-	-	-	-	-	TXB-1011	1150	1/4	3688
0.14/9.7	0.14/8.8	0.14/8.2	0.14/7.7	0.13/7.6	-	-	-	-	-	-	-	-	-	-	-	-
1236	1136	1023	894	739	542	-	-	-	-	-	-	-	TXB-1012	1260	1/4	4041
0.18/11.1	0.19/10.3	0.19/9.6	0.19/9.1	0.18/8.8	0.17/8.8	-	-	-	-	-	-	-	-	-	-	-
1290	1195	1088	968	828	657	429	-	-	-	-	-	-	TXB-1013	1315	1/4	4217
0.21/12	0.21/11.1	0.21/10.4	0.21/9.9	0.21/9.5	0.20/9.4	0.18/9.4	-	-	-	-	-	-	-	-	-	-
1339	1248	1146	1033	903	750	558	-	-	-	-	-	-	TXB-1014	1365	1/4	4378
0.23/12.7	0.24/11.9	0.24/11.2	0.24/10.6	0.24/10.2	0.23/10.1	0.22/10.1	-	-	-	-	-	-	-	-	-	-
1393	1306	1209	1103	983	845	678	-	-	-	-	-	-	TXB-1015	1420	1/4	4554
0.26/13.5	0.26/12.8	0.27/12.1	0.27/11.5	0.27/11.1	0.26/10.7	0.25/10.7	-	-	-	-	-	-	-	-	-	-
1452	1368	1277	1177	1066	940	794	-	-	-	-	-	-	TXB-1016	1480	1/3	4746
0.29/14.5	0.30/13.8	0.30/13.2	0.30/12.5	0.30/12.1	0.30/11.6	0.29/11.6	-	-	-	-	-	-	-	-	-	-
1501	1421	1334	1238	1133	1015	881	530	-	-	-	-	-	TXB-1017	1530	1/3	4907
0.32/15.5	0.33/14.6	0.34/13.9	0.34/13.3	0.34/12.9	0.33/12.5	0.33/12.3	0.29/12.3	-	-	-	-	-	-	-	-	-
1540	1462	1377	1285	1185	1074	949	630	-	-	-	-	-	TXB-1018	1570	1/2	5033
0.35/16.2	0.36/15.5	0.36/14.8	0.36/14.1	0.36/13.6	0.36/13.2	0.36/12.9	0.33/12.9	-	-	-	-	-	-	-	-	-
1570	1493	1410	1321	1223	1116	997	699	-	-	-	-	-	TXB-1019	1600	1/2	5131
0.37/16.8	0.38/16.1	0.38/15.4	0.38/14.7	0.38/14.1	0.38/13.7	0.38/13.4	0.35/13.4	-	-	-	-	-	-	-	-	-
1599	1524	1443	1356	1261	1158	1044	763	-	-	-	-	-	TXB-1020	1630	1/2	5227
0.39/17.4	0.40/16.7	0.40/16.0	0.41/15.3	0.41/14.7	0.41/14.3	0.40/13.9	0.38/13.8	-	-	-	-	-	-	-	-	-
1638	1565	1486	1402	1311	1213	1104	844	471	-	-	-	-	TXB-1021	1670	1/2	5356
0.42/18.1	0.43/17.4	0.43/16.8	0.44/16.1	0.44/15.5	0.44/15.1	0.43/14.7	0.42/14.5	0.36/14.5	-	-	-	-	-	-	-	-
1731	1663	1589	1511	1428	1338	1240	1015	727	-	-	-	-	TXB-1022	1765	1/2	5660
0.50/20	0.51/19.2	0.51/18.4	0.52/17.8	0.52/17.4	0.52/16.9	0.51/16.6	0.50/16.1	0.47/16.1	-	-	-	-	-	-	-	-

Power Ratings (BHP) does not include drive losses.  
Performance certified is for installation type A - free inlet, free outlet.  
Performance ratings do not include the effects of birdscreen in the airstream.  
The sound ratings shown are loudness values in fan sones @ 5' (1.5m) in a hemispherical free field calculated per AMCA Standard 301. Values shown are for Installation Type A: free inlet hemispherical sone levels.



S&P, Div. of Soler & Palau Ventilation Group, certifies that the Models TXB shown herein are licensed to bear the AMCA Seal. The ratings shown are based on test and procedures performed in accordance with AMCA Publication 211 and AMCA Publication 311 and comply with the requirement of the AMCA Certified Ratings Program.



UL STANDARD 705 for Electrical  
UL STANDARD 762 for Grease Removal

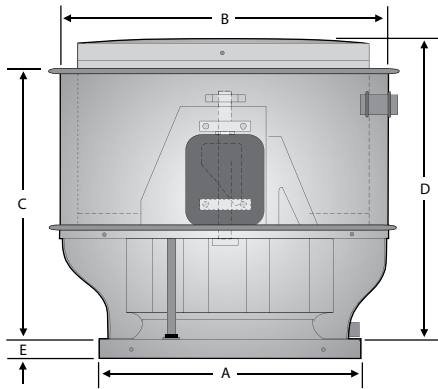


# MODEL TXB

## BELT DRIVE CENTRIFUGAL UPBLAST ROOF EXHAUSTER



### SIZE 12



Dimensions (in.)				
A	B	C	D	E
24	31-1/2	26	29	2-1/2

Dimensional Data				Metal Thickness			Avg. Ship Wt. (lbs.)
Damper		Roof Opening	Curb OD	Curb Cap	Wind Band	Motor Cover	
ID	OD						
18	18	19-1/4	22-1/4	.063	.050	.050	90

CFM / BHP @ Static Pressure / Sones													RPM	HP	Tip Speed
0	1/8	1/4	3/8	1/2	5/8	3/4	1	1-1/4	1-1/2	1-3/4	2	Catalog Number			
1055	945	836	687	466	-	-	-	-	-	-	-	TXB-12161	1050	1/4	3367
0.09/7.7	0.09/7.2	0.09/6.8	0.09/6.4	0.09/5.9	-	-	-	-	-	-	-	-	-	-	-
1120	1016	916	789	623	-	-	-	-	-	-	-	TXB-12162	1115	1/4	3576
0.10/8.7	0.11/8.2	0.11/7.8	0.11/7.3	0.11/6.9	-	-	-	-	-	-	-	-	-	-	-
1185	1085	994	883	740	539	-	-	-	-	-	-	TXB-12163	1180	1/4	3784
0.12/9.8	0.13/9.3	0.13/8.8	0.13/8.3	0.13/7.9	0.13/7.6	-	-	-	-	-	-	-	-	-	-
1251	1154	1070	970	845	693	383	-	-	-	-	-	TXB-12164	1245	1/4	3993
0.14/10.6	0.15/10.1	0.15/9.6	0.15/9.1	0.15/8.7	0.15/8.4	0.13/8.1	-	-	-	-	-	-	-	-	-
1316	1223	1144	1054	945	812	638	-	-	-	-	-	TXB-12165	1310	1/4	4201
0.17/11.5	0.17/11.0	0.18/10.6	0.18/10.2	0.18/9.8	0.18/9.4	0.17/9.0	-	-	-	-	-	-	-	-	-
1346	1255	1177	1091	988	862	709	-	-	-	-	-	TXB-12251	1340	1/4	4297
0.18/12.0	0.18/11.5	0.19/11.1	0.19/10.6	0.19/10.2	0.19/9.9	0.19/9.5	-	-	-	-	-	-	-	-	-
1381	1292	1217	1134	1037	918	782	-	-	-	-	-	TXB-12252	1375	1/4	4410
0.19/12.5	0.20/12.1	0.21/11.7	0.21/11.2	0.21/10.8	0.21/10.4	0.21/10.1	-	-	-	-	-	-	-	-	-
1411	1323	1250	1170	1077	966	837	-	-	-	-	-	TXB-12253	1405	1/4	4506
0.21/13.0	0.21/12.6	0.22/12.1	0.22/11.7	0.22/11.3	0.22/11.0	0.22/10.6	-	-	-	-	-	-	-	-	-
1446	1360	1288	1211	1124	1019	898	461	-	-	-	-	TXB-12254	1440	1/4	4618
0.22/13.6	0.23/13.6	0.24/12.7	0.24/12.3	0.24/11.9	0.24/11.6	0.24/11.2	0.20/10.7	-	-	-	-	-	-	-	-
1477	1391	1321	1246	1163	1064	948	610	-	-	-	-	TXB-12255	1470	1/4	4714
0.24/14.1	0.24/13.6	0.25/13.2	0.25/12.9	0.25/12.5	0.25/12.1	0.25/11.7	0.23/11.1	-	-	-	-	-	-	-	-
1507	1423	1353	1281	1201	1107	996	703	-	-	-	-	TXB-12256	1500	1/4	4810
0.25/14.6	0.26/14.2	0.27/13.7	0.27/13.3	0.27/13.0	0.27/12.6	0.27/12.3	0.26/11.6	-	-	-	-	-	-	-	-
1542	1459	1391	1322	1245	1156	1051	791	-	-	-	-	TXB-12331	1535	1/3	4923
0.27/15.2	0.27/14.8	0.28/14.4	0.29/14.0	0.29/13.6	0.29/13.2	0.29/12.9	0.28/12.2	-	-	-	-	-	-	-	-
1577	1496	1429	1362	1288	1204	1105	867	-	-	-	-	TXB-12332	1570	1/3	5035
0.29/15.9	0.29/15.4	0.30/15.0	0.31/14.6	0.31/14.3	0.31/13.9	0.31/13.5	0.31/12.9	-	-	-	-	-	-	-	-
1617	1538	1472	1407	1336	1256	1165	944	515	-	-	-	TXB-12333	1610	1/3	5163
0.31/16.6	0.32/16.2	0.33/15.8	0.33/15.4	0.33/15.0	0.33/14.7	0.33/14.3	0.33/13.6	0.28/13.1	-	-	-	-	-	-	-
1652	1574	1509	1446	1378	1302	1215	1006	687	-	-	-	TXB-12334	1645	1/3	5275
0.33/17.2	0.34/16.8	0.35/17.0	0.35/17.0	0.35/16.0	0.35/16.0	0.35/16.0	0.35/15.0	0.33/14.0	-	-	-	-	-	-	-
1713	1636	1573	1513	1448	1378	1298	1106	858	-	-	-	TXB-12501	1705	1/2	5468
0.37/19.0	0.37/19.0	0.38/18.0	0.39/18.0	0.39/17.0	0.39/17.0	0.39/17.0	0.39/16.0	0.39/16.0	-	-	-	-	-	-	-
1773	1699	1637	1579	1517	1451	1378	1202	898	573	-	-	TXB-12502	1765	1/2	5660
0.41/20	0.41/20	0.42/20	0.44/19.0	0.44/19.0	0.44/18.0	0.44/18.0	0.44/17.0	0.44/17.0	0.37/16.0	-	-	-	-	-	-
1838	1766	1706	1650	1592	1529	1462	1302	1109	841	-	-	TXB-12503	1830	1/2	5869
0.45/22	0.46/22	0.47/21	0.48/21	0.49/20	0.49/20	0.49/20	0.49/19.0	0.49/18.0	0.47/18.0	-	-	-	-	-	-
1898	1828	1769	1715	1659	1600	1537	1390	1211	992	-	-	TXB-12504	1890	1/2	6061
0.50/24	0.51/23	0.52/23	0.53/22	0.54/22	0.54/21	0.54/21	0.54/20	0.54/20	0.53/19.0	-	-	-	-	-	-
1969	1900	1843	1790	1738	1681	1622	1487	1323	1134	858	-	TXB-12751	1960	3/4	6286
0.56/25	0.56/25	0.58/25	0.59/24	0.60/24	0.60/23	0.60/23	0.60/22	0.60/22	0.60/21	0.57/21	-	-	-	-	-
2039	1972	1917	1865	1815	1761	1705	1581	1432	1258	1045	601	TXB-12752	2030	3/4	6510
0.62/27	0.63/27	0.64/26	0.65/26	0.66/26	0.67/25	0.67/25	0.66/24	0.66/24	0.67/23	0.65/22	0.54/22	-	-	-	-
2104	2039	1985	1934	1886	1835	1781	1665	1528	1366	1184	917	TXB-12753	2095	3/4	6719
0.68/29	0.69/29	0.70/28	0.71/28	0.73/28	0.73/27	0.73/27	0.73/26	0.73/25	0.73/25	0.73/24	0.69/24	-	-	-	-
2175	2111	2058	2009	1961	1913	1862	1753	1627	1478	1312	1105	TXB-12754	2165	3/4	6943
0.75/32	0.76/31	0.77/31	0.78/30	0.80/30	0.81/29	0.81/29	0.81/28	0.81/27	0.81/27	0.81/26	0.79/26	-	-	-	-

Power Ratings (BHP) does not include drive losses.  
 Performance certified is for installation type A - free inlet, free outlet.  
 Performance ratings do not include the effects of birdscreen in the airstream.  
 The sound ratings shown are loudness values in fan sones @ 5' (1.5m) in a hemispherical free field calculated per AMCA Standard 301. Values shown are for: Installation Type A: free inlet hemispherical sone levels.



S&P, Div. of Soler & Palau Ventilation Group, certifies that the Models TXB shown herein are licensed to bear the AMCA Seal. The ratings shown are based on test and procedures performed in accordance with AMCA Publication 211 and AMCA Publication 311 and comply with the requirement of the AMCA Certified Ratings Program.



UL STANDARD 705 for Electrical  
 UL STANDARD 762 for Grease Removal

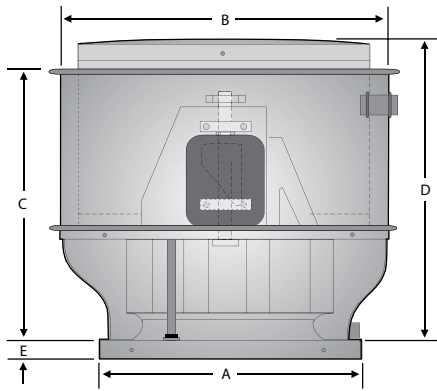




**MODEL TXB**  
BELT DRIVE CENTRIFUGAL UPBLAST ROOF EXHAUSTER



**SIZE 15**



Dimensions (in.)				
A	B	C	D	E
24	31-1/2	26	29	2-1/2

Dimensional Data				Metal Thickness			Avg. Ship Wt. (lbs.)
Damper		Roof Opening	Curb OD	Curb Cap	Wind Band	Motor Cover	
ID	OD						
18	18	19-1/4	22-1/4	.063	.050	.050	95

CFM / BHP @ Static Pressure / Sones													RPM	HP	Tip Speed
0	1/8	1/4	3/8	1/2	5/8	3/4	1	1-1/4	1-1/2	1-3/4	2	Catalog Number			
1525	1301	1019	-	-	-	-	-	-	-	-	-	TXB-15161	700	1/4	2792
0.09/6.8	0.09/6.0	0.09/5.2	-	-	-	-	-	-	-	-	-	-	-	-	-
1710	1513	1286	972	-	-	-	-	-	-	-	-	TXB-15162	785	1/4	3134
0.12/8.3	0.13/7.4	0.13/6.9	0.12/5.9	-	-	-	-	-	-	-	-	-	-	-	-
1895	1719	1525	1291	944	-	-	-	-	-	-	-	TXB-15163	870	1/4	3473
0.17/9.9	0.17/9.0	0.18/8.4	0.17/7.7	0.16/6.9	-	-	-	-	-	-	-	-	-	-	-
1938	1767	1579	1356	1047	-	-	-	-	-	-	-	TXB-15251	890	1/4	3553
0.18/10.3	0.19/9.4	0.19/8.8	0.19/8.2	0.18/7.3	-	-	-	-	-	-	-	-	-	-	-
1982	1814	1632	1420	1137	544	-	-	-	-	-	-	TXB-15252	910	1/4	3633
0.19/10.7	0.20/9.8	0.20/9.2	0.20/8.7	0.19/7.7	0.15/7.4	-	-	-	-	-	-	-	-	-	-
2026	1862	1685	1481	1220	763	-	-	-	-	-	-	TXB-15253	930	1/4	3713
0.21/11.1	0.21/10.2	0.21/9.6	0.21/9.2	0.21/8.2	0.18/7.7	-	-	-	-	-	-	-	-	-	-
2080	1921	1750	1556	1317	951	-	-	-	-	-	-	TXB-15254	955	1/4	3813
0.22/11.6	0.23/10.8	0.23/10.1	0.23/9.7	0.23/8.8	0.21/8.1	-	-	-	-	-	-	-	-	-	-
2124	1968	1801	1615	1389	1068	-	-	-	-	-	-	TXB-15255	975	1/4	3893
0.24/12.1	0.24/11.2	0.25/10.6	0.25/10.1	0.24/9.3	0.23/8.4	-	-	-	-	-	-	-	-	-	-
2167	2015	1852	1672	1458	1170	572	-	-	-	-	-	TXB-15256	995	1/4	3972
0.25/12.5	0.26/11.6	0.26/11.1	0.26/10.6	0.26/9.8	0.25/8.9	0.19/8.8	-	-	-	-	-	-	-	-	-
2243	2096	1941	1770	1574	1325	929	-	-	-	-	-	TXB-15331	1030	1/3	4112
0.28/13.3	0.29/12.4	0.29/11.9	0.29/11.4	0.29/10.8	0.28/9.9	0.25/9.4	-	-	-	-	-	-	-	-	-
2309	2166	2016	1853	1668	1443	1125	-	-	-	-	-	TXB-15332	1060	1/3	4232
0.31/13.9	0.31/13.1	0.32/12.7	.32/12.2	0.32/11.6	0.31/10.7	0.29/9.9	-	-	-	-	-	-	-	-	-
2385	2247	2103	1947	1774	1570	1305	-	-	-	-	-	TXB-15333	1095	1/3	4372
0.34/14.7	0.34/13.9	0.35/13.5	0.35/13.1	0.35/12.6	0.34/11.7	0.33/10.8	-	-	-	-	-	-	-	-	-
2472	2339	2201	2053	1891	1706	1479	-	-	-	-	-	TXB-15501	1135	1/2	4531
0.38/15.7	0.38/14.9	0.39/14.5	0.39/14.0	0.39/13.6	0.39/12.9	0.38/12.0	-	-	-	-	-	-	-	-	-
2559	2431	2298	2157	2004	1833	1632	953	-	-	-	-	TXB-15502	1175	1/2	4691
0.42/16.7	0.42/16.0	0.43/15.6	0.43/15.1	0.43/14.6	0.43/14.1	0.42/13.2	0.35/12.1	-	-	-	-	-	-	-	-
2646	2522	2394	2260	2115	1956	1774	1247	-	-	-	-	TXB-15503	1215	1/2	4851
0.46/17.7	0.47/17.1	0.47/16.7	0.48/16.3	0.48/15.8	0.48/15.3	0.47/14.4	0.43/13.0	-	-	-	-	-	-	-	-
2733	2613	2490	2361	2223	2074	1906	1462	-	-	-	-	TXB-15504	1255	1/2	5011
0.51/18.7	0.52/18.2	0.52/17.8	0.52/17.4	0.53/16.9	0.53/16.4	0.52/15.7	0.49/14.0	-	-	-	-	-	-	-	-
2831	2715	2597	2473	2343	2203	2048	1664	928	-	-	-	TXB-15751	1300	3/4	5190
0.57/19.8	0.57/19.2	0.58/18.8	0.58/18.4	0.58/17.9	0.58/17.4	0.58/17.0	0.56/15.2	0.46/14.5	-	-	-	-	-	-	-
2929	2817	2703	2585	2460	2328	2184	1841	1308	-	-	-	TXB-15752	1345	3/4	5370
0.63/21	0.63/20	0.64/19.8	0.64/19.4	0.65/19.0	0.65/18.5	0.65/18.0	0.63/16.5	0.57/15.2	-	-	-	-	-	-	-
3027	2919	2809	2695	2576	2450	2316	2003	1569	-	-	-	TXB-15753	1390	3/4	5549
0.69/22	0.70/21	0.70/21	0.71/20	0.71/20	0.71/19.6	0.71/19.1	0.70/17.7	0.66/16.1	-	-	-	-	-	-	-
3125	3020	2914	2804	2690	2571	2444	2155	1782	1129	-	-	TXB-15754	1435	3/4	5729
0.76/23	0.77/22	0.77/22	0.78/21	0.78/21	0.79/21	0.79/20	0.78/19.0	0.75/17.4	0.64/16.7	-	-	-	-	-	-
3213	3110	3007	2901	2791	2676	2555	2284	1948	1444	-	-	TXB-15101	1475	1	5889
0.83/24	0.83/24	0.84/23	0.85/22	0.85/22	0.85/22	0.85/21	0.85/20	0.83/18.5	0.75/17.4	-	-	-	-	-	-
3330	3200	3100	2997	2891	2780	2664	2408	2100	1679	805	-	TXB-15102	1515	1	6049
0.90/25	0.90/25	0.91/24	0.92/23	0.92/23	0.92/23	0.93/22	0.92/21	0.91/19.7	0.85/18.2	0.64/18.1	-	-	-	-	-
3376	3279	3181	3080	2977	2870	2758	2513	2226	1853	1220	-	TXB-15103	1550	1	6188
0.96/26	0.97/25	0.97/25	0.98/24	0.98/24	0.99/24	0.99/23	0.99/22	0.98/21	0.93/19.3	0.80/18.8	-	-	-	-	-
3463	3368	3273	3175	3075	2972	2864	2631	2362	2029	1538	-	TXB-15104	1590	1	6348
1.04/27	1.04/27	1.05/26	1.06/25	1.06/25	1.07/25	1.07/24	1.07/23	1.06/22	1.03/21	0.94/19.6	-	-	-	-	-
3692	3603	3514	3423	3330	3235	3136	2927	2696	2428	2095	1612	TXB-15151	1695	1-1/2	6767
1.26/30	1.26/30	1.27/29	1.28/28	1.28/28	1.29/27	1.29/27	1.30/26	1.29/26	1.28/24	1.23/23	1.13/22	-	-	-	-
3931	3848	3764	3679	3593	3505	3414	3225	3020	2792	2530	2209	TXB-15152	1805	1-1/2	7206
1.52/34	1.53/33	1.53/32	1.54/32	1.55/31	1.55/31	1.56/30	1.56/30	1.57/29	1.56/28	1.53/26	1.49/25	-	-	-	-

Power Ratings (BHP) does not include drive losses.  
Performance certified is for installation type A - free inlet, free outlet.  
Performance ratings do not include the effects of birdscreen in the airstream.  
The sound ratings shown are loudness values in fan sones @ 5' (1.5m) in a hemispherical free field calculated per AMCA Standard 301. Values shown are for: Installation Type A: free inlet hemispherical sone levels.



S&P, Div. of Soler & Palau Ventilation Group, certifies that the Models TXB shown herein are licensed to bear the AMCA Seal. The ratings shown are based on test and procedures performed in accordance with AMCA Publication 211 and AMCA Publication 311 and comply with the requirement of the AMCA Certified Ratings Program.



UL STANDARD 705 for Electrical  
UL STANDARD 762 for Grease Removal

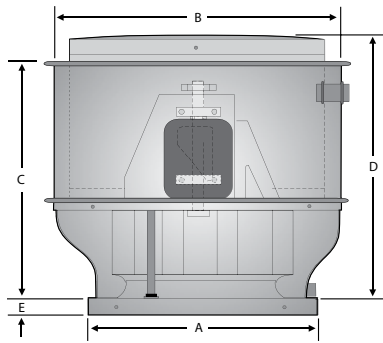


# MODEL TXB

## BELT DRIVE CENTRIFUGAL UPBLAST ROOF EXHAUSTER



### SIZE 15 - HIGH PRESSURE



Dimensions (in.)				
A	B	C	D	E
24	31-1/2	26	29	2-1/2

Dimensional Data				Metal Thickness			Avg. Ship Wt. (lbs.)
Damper		Roof Opening	Curb OD	Curb Cap	Wind Band	Motor Cover	
ID	OD						
18	18	19-1/4	22-1/4	.063	.050	.050	95

CFM / BHP @ Static Pressure / Sones													Catalog Number	RPM	HP	Tip Speed
1/4	3/8	1/2	5/8	3/4	1	1-1/4	1-1/2	1-3/4	2	2-1/4	2-1/2					
1033	573	-	-	-	-	-	-	-	-	-	-	-	TXBHP-15161	740	1/4	2954
0.09/5.4	0.07/4.8	-	-	-	-	-	-	-	-	-	-	-	TXBHP-15162	825	1/4	3294
1266	1003	-	-	-	-	-	-	-	-	-	-	-	TXBHP-15163	910	1/4	3633
0.13/7.5	0.12/6.1	-	-	-	-	-	-	-	-	-	-	-	TXBHP-15251	935	1/4	3733
1479	1276	989	-	-	-	-	-	-	-	-	-	-	TXBHP-15252	955	1/4	3813
0.17/9.7	0.17/8.2	0.16/7.4	-	-	-	-	-	-	-	-	-	-	TXBHP-15253	980	1/4	3913
1539	1348	1092	-	-	-	-	-	-	-	-	-	-	TXBHP-15254	1000	1/4	3992
0.18/10.4	0.18/8.9	0.18/7.8	-	-	-	-	-	-	-	-	-	-	TXBHP-15255	1025	1/4	4092
1586	1403	1166	737	-	-	-	-	-	-	-	-	-	TXBHP-15256	1045	1/4	4172
0.19/11.0	0.19/9.5	0.19/8.2	0.16/8.2	-	-	-	-	-	-	-	-	-	TXBHP-15331	1080	1/3	4312
1645	1471	1253	916	-	-	-	-	-	-	-	-	-	TXBHP-15332	1110	1/3	4432
0.21/11.7	0.21/10.3	0.21/8.9	0.19/8.7	-	-	-	-	-	-	-	-	-	TXBHP-15333	1145	1/3	4571
1692	1524	1319	1024	-	-	-	-	-	-	-	-	-	TXBHP-15501	1190	1/2	4751
0.22/12.3	0.22/10.9	0.22/9.4	0.21/9.0	-	-	-	-	-	-	-	-	-	TXBHP-15502	1230	1/2	4911
1749	1589	1397	1138	-	-	-	-	-	-	-	-	-	TXBHP-15503	1270	1/2	5070
0.24/13.1	0.24/11.7	0.24/10.2	0.23/9.5	-	-	-	-	-	-	-	-	-	TXBHP-15504	1310	1/2	5230
1795	1640	1456	1219	796	-	-	-	-	-	-	-	-	TXBHP-15751	1360	3/4	5430
0.25/13.8	0.26/12.4	0.25/10.8	0.24/9.9	0.21/9.9	-	-	-	-	-	-	-	-	TXBHP-15752	1405	3/4	5609
1874	1727	1557	1348	1041	-	-	-	-	-	-	-	-	TXBHP-15753	1455	3/4	5809
0.28/14.9	0.28/13.6	0.28/11.8	0.27/10.6	0.25/10.6	-	-	-	-	-	-	-	-	TXBHP-15754	1500	3/4	5989
1941	1800	1640	1448	1190	-	-	-	-	-	-	-	-	TXBHP-15101	1545	1	6168
0.30/15.4	0.31/14.3	0.31/12.7	0.30/11.4	0.29/11.0	-	-	-	-	-	-	-	-	TXBHP-15102	1590	1	6348
2019	1885	1734	1558	1337	-	-	-	-	-	-	-	-	TXBHP-15103	1635	1	6527
0.33/16.2	0.33/15.1	0.34/13.7	.33/12.2	0.32/11.5	-	-	-	-	-	-	-	-	TXBHP-15104	1680	1	6707
2118	1991	1851	1691	1500	-	-	-	-	-	-	-	-	TXBHP-15151	1785	1-1/2	7127
0.37/17.1	0.37/16.3	0.38/14.9	.38/13.4	0.37/12.2	-	-	-	-	-	-	-	-	TXBHP-15152	1895	1-1/2	7568
2205	2084	1952	1804	1632	1100	-	-	-	-	-	-	-				
0.41/17.9	0.41/17.3	0.42/16.1	.42/14.6	0.41/13.3	0.36/12.7	-	-	-	-	-	-	-				
2292	2176	2050	1912	1755	1320	-	-	-	-	-	-	-				
0.45/18.7	0.45/18.4	.46/17.2	.46/15.8	0.46/14.5	0.42/13.4	-	-	-	-	-	-	-				
2378	2267	2147	2017	1871	1495	-	-	-	-	-	-	-				
0.49/19.5	0.50/19.4	0.50/18.3	.50/16.9	0.50/15.7	0.48/14.1	-	-	-	-	-	-	-				
2485	2379	2266	2144	2010	1683	1121	-	-	-	-	-	-				
0.55/20	0.55/20	0.56/19.6	.56/18.5	0.56/17.1	0.55/15.1	0.47/15.0	-	-	-	-	-	-				
2580	2479	2371	2256	2131	1835	1402	-	-	-	-	-	-				
0.60/21	0.61/21	0.62/21	0.62/19.8	0.62/18.6	0.61/16.4	0.56/15.9	-	-	-	-	-	-				
2686	2589	2486	2377	2261	1992	1632	824	-	-	-	-	-				
0.67/23	0.68/23	0.68/22	0.69/21	0.69/20	0.68/17.9	0.65/16.9	0.48/16.9	-	-	-	-	-				
2781	2687	2589	2485	2374	2124	1808	1303	-	-	-	-	-				
0.73/23	0.74/23	0.75/23	0.75/22	0.75/21	0.75/19.3	0.73/17.7	0.65/17.7	-	-	-	-	-				
2875	2784	2690	2591	2486	2252	1966	1566	-	-	-	-	-				
0.80/24	0.81/24	0.81/24	0.82/24	0.82/23	0.82/21	0.81/18.9	0.75/18.7	-	-	-	-	-				
2969	2881	2790	2695	2595	2374	2113	1772	1154	-	-	-	-				
0.87/26	0.88/26	0.89/26	0.89/25	0.90/24	0.90/22	0.89/20	0.85/19.6	0.71/19.6	-	-	-	-				
3062	2978	2890	2799	2703	2494	2251	1950	1504	-	-	-	-				
0.95/27	0.95/27	0.96/27	0.97/27	0.97/26	0.98/24	0.97/22	0.94/21	0.86/21	-	-	-	-				
3156	3074	2989	2901	2809	2610	2384	2111	1746	950	-	-	-				
1.03/29	1.03/29	1.04/29	1.05/29	1.05/28	1.06/26	1.06/24	1.04/22	0.98/21	0.74/21	-	-	-				
3372	3296	3217	3136	3052	2873	2674	2448	2176	1813	1067	-	-				
1.23/33	1.24/33	1.25/33	1.25/33	1.26/32	1.27/30	1.27/28	1.26/26	1.23/24	1.16/24	0.91/24	-	-				
3598	3527	3454	3378	3301	3137	2961	2765	2543	2278	1931	1318	-				
1.47/37	1.48/37	1.49/37	1.49/37	1.50/37	1.51/35	1.52/33	1.52/30	1.51/28	1.47/27	1.40/27	1.18/27	-				

Power Ratings (BHP) does not include drive losses.  
 Performance certified is for installation type A - free inlet, free outlet.  
 Performance ratings do not include the effects of birdscreen in the airstream.  
 The sound ratings shown are loudness values in fan sones @ 5' (1.5m) in a hemispherical free field calculated per AMCA Standard 301. Values shown are for: Installation Type A: free inlet hemispherical sone levels.



S&P, Div. of Soler & Palau Ventilation Group, certifies that the Models TXB shown herein are licensed to bear the AMCA Seal. The ratings shown are based on test and procedures performed in accordance with AMCA Publication 211 and AMCA Publication 311 and comply with the requirement of the AMCA Certified Ratings Program.

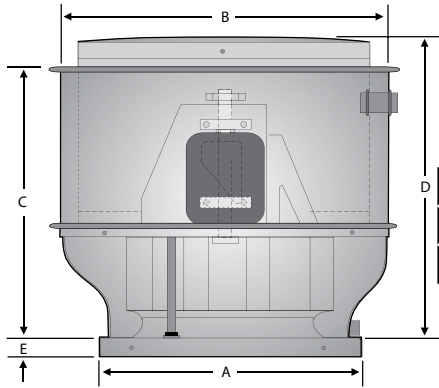




**MODEL TXB**  
BELT DRIVE CENTRIFUGAL UPBLAST ROOF EXHAUSTER



**SIZE 16**



Dimensions (in.)				
A	B	C	D	E
24	31-1/2	26	29	2-1/2

Dimensional Data				Metal Thickness			Avg. Ship Wt. (lbs.)
Damper		Roof Opening	Curb OD	Curb Cap	Wind Band	Motor Cover	
ID	OD						
18	18	19-1/4	22-1/4	.063	.050	.050	100

CFM / BHP @ Static Pressure / Sones													RPM	HP	Tip Speed
0	1/8	1/4	3/8	1/2	5/8	3/4	7/8	1	1-1/4	1-1/2	1-3/4	Catalog Number			
2223	2016	1746	1375	-	-	-	-	-	-	-	-	TXB-1601	680	1/4	3202
0.15/7.9	0.16/7.5	0.16/6.7	0.15/5.2	-	-	-	-	-	-	-	-	TXB-1602	700	1/4	3297
0.16/8.4	0.17/7.9	0.18/7.2	0.17/5.7	-	-	-	-	-	-	-	-	TXB-1603	720	1/4	3391
2354	2156	1911	1594	1007	-	-	-	-	-	-	-	TXB-1604	760	1/4	3580
0.18/8.8	0.19/8.3	0.19/7.7	0.19/6.3	0.16/5.1	-	-	-	-	-	-	-	TXB-1605	780	1/4	3674
2485	2295	2071	1796	1410	-	-	-	-	-	-	-	TXB-1606	800	1/4	3768
0.21/9.8	0.22/9.2	0.23/8.8	0.22/7.4	0.21/6.2	-	-	-	-	-	-	-	TXB-1607	820	1/3	3862
2550	2364	2152	1897	1554	-	-	-	-	-	-	-	TXB-1608	840	1/3	3956
0.23/10.2	0.24/9.8	0.24/9.3	0.24/8.1	0.23/6.8	-	-	-	-	-	-	-	TXB-1609	880	1/3	4145
2616	2432	2235	1993	1676	1052	-	-	-	-	-	-	TXB-1610	900	1/2	4239
0.24/10.7	0.26/10.2	0.26/9.8	0.27/8.7	0.25/7.3	0.21/6.2	-	-	-	-	-	-	TXB-1611	935	1/2	4404
2681	2501	2317	2084	1782	1307	-	-	-	-	-	-	TXB-1612	970	1/2	4569
0.26/11.2	0.28/10.8	0.28/10.3	0.29/9.3	0.28/8.0	0.25/6.8	-	-	-	-	-	-	TXB-1613	1000	1/2	4710
2747	2569	2397	2169	1884	1495	-	-	-	-	-	-	TXB-1614	1020	1/2	4804
0.28/11.7	0.30/11.3	0.30/10.9	0.31/9.9	0.30/8.6	0.28/7.4	-	-	-	-	-	-	TXB-1615	1050	3/4	4946
2877	2705	2553	2333	2087	1789	1208	-	-	-	-	-	TXB-1616	1080	3/4	5087
0.32/12.8	0.35/12.3	0.35/11.9	0.35/11.4	0.35/9.9	0.34/8.6	0.28/7.5	-	-	-	-	-	TXB-1617	1110	3/4	5181
2943	2773	2629	2413	2187	1904	1450	-	-	-	-	-	TXB-1618	1140	3/4	5369
0.35/13.3	0.37/12.9	0.37/12.5	0.38/12.1	0.38/10.6	0.36/9.3	0.33/8.2	-	-	-	-	-	TXB-1619	1170	1	5511
3057	2892	2757	2553	2353	2086	1759	1025	-	-	-	-	TXB-1620	1195	1	5628
0.39/14.3	0.41/13.9	0.41/13.9	0.42/13.1	0.42/11.9	0.41/10.5	0.39/9.3	0.30/8.3	-	-	-	-	TXB-1621	1235	1	5817
3172	3010	2881	2697	2505	2262	1997	1545	-	-	-	-	TXB-1622	1275	1	6005
0.43/15.3	0.46/14.9	0.47/14.6	0.47/14.2	0.48/13.1	0.46/11.8	0.45/10.5	0.41/9.5	-	-	-	-	TXB-1623	1290	1	6076
3270	3111	2986	2820	2628	2414	2161	1821	1105	-	-	-	TXB-1623	1290	1	6076
0.48/16.2	0.50/15.8	0.51/15.5	0.51/15.1	0.52/14.4	0.51/12.9	0.50/11.7	0.47/10.5	0.37/9.5	-	-	-	TXB-1623	1290	1	6076
3335	3179	3056	2901	2709	2512	2264	1975	1448	-	-	-	TXB-1623	1290	1	6076
0.51/16.8	0.50/16.4	0.54/16.1	0.54/15.7	0.55/15.2	0.55/13.7	0.53/12.4	0.51/11.2	0.45/10.1	-	-	-	TXB-1623	1290	1	6076
3433	3280	3160	3020	2830	2652	2413	2170	1780	-	-	-	TXB-1623	1290	1	6076
0.55/17.7	0.58/17.3	0.59/17.0	0.59/16.7	0.60/16.3	0.60/14.9	0.59/13.5	0.57/12.3	0.53/11.2	-	-	-	TXB-1623	1290	1	6076
3531	3381	3263	3136	2949	2781	2567	2333	2034	-	-	-	TXB-1623	1290	1	6076
0.60/18.6	0.63/18.3	0.64/18.0	0.64/17.6	0.65/17.3	0.66/16.2	0.64/14.8	0.63/13.5	0.60/12.4	-	-	-	TXB-1623	1290	1	6076
3629	3481	3367	3249	3073	2906	2716	2487	2243	-	-	-	TXB-1623	1290	1	6076
0.65/19.6	0.69/19.3	0.70/19.0	0.70/18.7	0.70/18.4	0.71/17.4	0.71/16	0.69/14.8	0.67/13.5	-	-	-	TXB-1623	1290	1	6076
3728	3582	3469	3358	3197	3028	2858	2636	2417	1613	-	-	TXB-1623	1290	1	6076
0.71/21	0.74/20	0.75/19.9	0.76/19.7	0.76/19.4	0.77/18.8	0.77/17.3	0.75/16.0	0.74/14.8	0.63/12.6	-	-	TXB-1623	1290	1	6076
3826	3682	3572	3465	3319	3148	2992	2790	2574	1953	-	-	TXB-1623	1290	1	6076
0.76/22	0.80/21	0.81/21	0.82/21	0.82/20	0.83/20	0.83/18.7	0.82/17.3	0.80/16.0	0.73/13.8	-	-	TXB-1623	1290	1	6076
3907	3766	3657	3553	3419	3248	3097	2914	2700	2175	-	-	TXB-1623	1290	1	6076
0.81/22	0.85/22	0.87/22	0.87/22	0.87/21	0.88/21	0.89/19.9	0.88/18.5	0.86/17.1	0.81/14.9	-	-	TXB-1623	1290	1	6076
4038	3900	3794	3693	3574	3410	3261	3104	2902	2469	1556	-	TXB-1623	1290	1	6076
0.90/24	0.94/24	0.96/23	0.96/23	0.96/23	0.97/23	0.98/22	0.98/20	0.96/19.0	0.92/16.5	0.75/14.5	-	TXB-1623	1290	1	6076
4169	4034	3929	3832	3727	3576	3422	3279	3103	2704	2073	-	TXB-1623	1290	1	6076
0.99/25	1.03/25	1.05/25	1.06/24	1.06/24	1.07/24	1.07/24	1.08/22	1.07/21	1.03/18.2	.93/16	-	TXB-1623	1290	1	6076
4218	4084	3980	3884	3783	3637	3482	3342	3176	2784	2218	-	TXB-1623	1290	1	6076
1.02/26	1.07/25	1.09/25	1.09/25	1.09/24	1.10/24	1.11/24	1.12/23	1.11/21	1.07/18.8	.99/16.5	-	TXB-1623	1290	1	6076

Power Ratings (BHP) does not include drive losses.  
Performance certified is for installation type A - free inlet, free outlet.  
Performance ratings do not include the effects of birdscreen in the airstream.  
The sound ratings shown are loudness values in fan sones @ 5' (1.5m) in a hemispherical free field calculated per AMCA Standard 301. Values shown are for: Installation Type A: free inlet hemispherical sone levels.



S&P, Div. of Soler & Palau Ventilation Group, certifies that the Models TXB shown herein are licensed to bear the AMCA Seal. The ratings shown are based on test and procedures performed in accordance with AMCA Publication 211 and AMCA Publication 311 and comply with the requirement of the AMCA Certified Ratings Program.



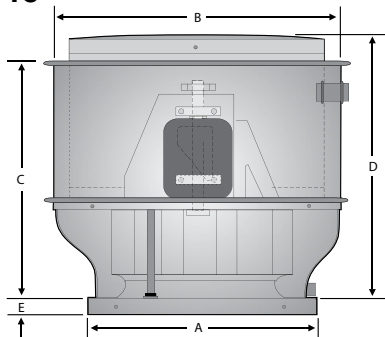
UL STANDARD 705 for Electrical  
UL STANDARD 762 for Grease Removal



**MODEL TXB**  
**BELT DRIVE CENTRIFUGAL UPBLAST ROOF EXHAUSTER**



**SIZE 18**



Dimensions (in.)				
A	B	C	D	E
29-1/2	37-3/4	28-1/2	32	2-1/2

Dimensional Data				Metal Thickness			Avg. Ship Wt. (lbs.)
Damper		Roof Opening	Curb OD	Curb Cap	Wind Band	Motor Cover	
ID	OD						
24	24	24-3/4	27-3/4	.080	.050	.050	120

CFM / BHP @ Static Pressure / Sones													Catalog Number	RPM	HP	Tip Speed
0	1/8	1/4	3/8	1/2	5/8	3/4	1	1-1/4	1-1/2	1-3/4	2					
2339	2104	1839	1497	-	-	-	-	-	-	-	-	-	TXB-18251	650	1/4	3127
0.15/7.8	0.16/6.9	0.17/6.3	0.16/5.8	-	-	-	-	-	-	-	-	-	-	-	-	-
2447	2223	1975	1674	-	-	-	-	-	-	-	-	-	TXB-18252	680	1/4	3271
0.17/8.4	0.18/7.5	0.19/7.0	0.19/6.5	-	-	-	-	-	-	-	-	-	-	-	-	-
2573	2360	2131	1861	1476	-	-	-	-	-	-	-	-	TXB-18253	715	1/4	3440
0.19/9.1	0.21/8.3	0.22/7.7	0.22/7.2	0.21/6.7	-	-	-	-	-	-	-	-	-	-	-	-
2681	2476	2261	2011	1693	-	-	-	-	-	-	-	-	TXB-18254	745	1/4	3584
0.22/9.8	0.23/8.9	0.24/8.3	0.25/7.8	0.25/7.4	-	-	-	-	-	-	-	-	-	-	-	-
2753	2553	2346	2107	1817	-	-	-	-	-	-	-	-	TXB-18331	765	1/3	3680
0.24/10.2	0.25/9.4	0.26/8.8	0.27/8.3	0.27/7.8	-	-	-	-	-	-	-	-	-	-	-	-
2825	2630	2430	2201	1932	-	-	-	-	-	-	-	-	TXB-18332	785	1/3	3776
0.26/10.6	0.27/9.8	0.28/9.2	0.29/8.7	0.29/8.3	-	-	-	-	-	-	-	-	-	-	-	-
2879	2688	2493	2271	2014	1655	-	-	-	-	-	-	-	TXB-18333	800	1/3	3848
0.27/11.0	0.29/10.1	0.30/9.5	0.31/9.0	0.31/8.6	0.30/8.1	-	-	-	-	-	-	-	-	-	-	-
2950	2764	2576	2362	2120	1807	-	-	-	-	-	-	-	TXB-18334	820	1/3	3945
0.29/11.4	0.31/10.5	0.32/9.9	0.33/9.4	0.33/9.0	0.33/8.6	-	-	-	-	-	-	-	-	-	-	-
3058	2879	2698	2496	2271	2000	-	-	-	-	-	-	-	TXB-18501	850	1/2	4089
0.33/12.1	0.34/11.2	0.35/10.5	0.37/10.1	0.37/9.6	0.37/9.2	-	-	-	-	-	-	-	-	-	-	-
3166	2992	2819	2628	2417	2173	1844	-	-	-	-	-	-	TXB-18502	880	1/2	4233
0.36/12.8	0.38/11.8	0.39/11.1	0.41/10.7	0.41/10.3	0.41/9.8	0.40/9.4	-	-	-	-	-	-	-	-	-	-
3274	3106	2939	2758	2558	2334	2058	-	-	-	-	-	-	TXB-18503	910	1/2	4378
0.40/13.5	0.42/12.6	0.43/11.8	0.45/11.3	0.45/10.9	0.45/10.5	0.45/10.1	-	-	-	-	-	-	-	-	-	-
3382	3219	3058	2886	2696	2488	2243	-	-	-	-	-	-	TXB-18504	940	1/2	4522
0.44/14.1	0.46/13.3	0.47/12.5	0.49/10.0	0.50/11.6	0.50/11.2	0.50/10.8	-	-	-	-	-	-	-	-	-	-
3472	3313	3156	2991	2809	2611	2386	-	-	-	-	-	-	TXB-18751	965	3/4	4642
0.48/14.8	0.49/13.9	0.51/13.2	0.53/12.6	0.54/12.2	0.54/11.7	0.54/11.3	-	-	-	-	-	-	-	-	-	-
3580	3426	3274	3116	2942	2755	2548	-	-	-	-	-	-	TXB-18752	995	3/4	4786
0.52/15.5	0.54/14.6	0.56/13.9	0.57/13.3	0.59/12.9	0.59/12.5	0.59/12.1	-	-	-	-	-	-	-	-	-	-
3670	3519	3371	3219	3052	2872	2675	2160	-	-	-	-	-	TXB-18753	1020	3/4	4907
0.56/16.1	0.58/15.3	0.60/14.5	0.61/13.9	0.63/13.5	0.64/13.1	0.64/12.7	0.63/11.9	-	-	-	-	-	-	-	-	-
3778	3631	3488	3341	3181	3010	2826	2372	-	-	-	-	-	TXB-18754	1050	3/4	5051
0.61/16.9	0.63/16.1	0.65/15.3	0.67/14.6	0.68/14.2	0.70/13.8	0.70/13.4	0.69/12.7	-	-	-	-	-	-	-	-	-
3868	3725	3584	3442	3288	3123	2950	2786	-	-	-	-	-	TXB-18755	1075	3/4	5171
0.66/17.5	0.68/16.7	0.70/16.0	0.71/15.3	0.73/14.8	0.74/14.4	0.85/14.0	0.85/13.3	-	-	-	-	-	-	-	-	-
4030	3892	3757	3621	3478	3323	3158	2786	2240	-	-	-	-	TXB-18101	1120	1	5388
0.74/18.7	0.77/17.9	0.79/17.2	0.80/16.5	0.82/16.0	0.84/15.6	0.85/15.2	0.85/14.4	0.82/13.7	-	-	-	-	-	-	-	-
4174	4041	3910	3780	3644	3497	3341	2999	2558	-	-	-	-	TXB-18102	1160	1	5580
0.83/19.7	0.85/19.0	0.87/18.3	0.89/17.6	0.91/17.1	0.92/16.7	0.94/16.3	0.94/15.7	0.93/14.8	-	-	-	-	-	-	-	-
4318	4189	4063	3937	3808	3668	3521	3201	2816	-	-	-	-	TXB-18103	1200	1	5773
0.92/21	0.94/20	0.96/19.4	0.98/18.8	1.00/18.2	1.02/17.8	1.03/17.4	1.04/16.6	1.04/15.9	-	-	-	-	-	-	-	-
4498	4374	4253	4132	4009	3879	3741	3444	3103	2651	-	-	-	TXB-18151	1250	1-1/2	6013
1.03/22	1.06/22	1.08/21	1.10/20	1.12/19.6	1.14/19.2	1.16/18.8	1.18/18.1	1.18/17.4	1.16/16.7	-	-	-	-	-	-	-
4678	4558	4442	4326	4208	4087	3957	3678	3369	2995	-	-	-	TXB-18152	1300	1-1/2	6254
1.16/24	1.19/23	1.21/22	1.23/22	1.25/21	1.27/21	1.30/20	1.32/19.5	1.33/18.8	1.32/18.2	-	-	-	-	-	-	-
4857	4742	4630	4518	4406	4291	4169	3906	3621	3292	2862	-	-	TXB-18153	1350	1-1/2	6494
1.30/25	1.33/24	1.35/24	1.38/23	1.40/23	1.42/22	1.44/22	1.48/21	1.49/20	1.48/19.6	1.46/19	-	-	-	-	-	-
5037	4926	4818	4710	4602	4492	4377	4129	3862	3566	3208	2665	-	TXB-18201	1400	2	6735
1.45/27	1.48/26	1.51/25	1.53/25	1.55/24	1.58/24	1.60/23	1.64/23	1.66/22	1.65/21	1.65/21	1.57/20	-	-	-	-	-
5217	5110	5005	4901	4797	4692	4583	4348	4096	3823	3509	3112	-	TXB-18202	1450	2	6975
1.62/28	1.64/27	1.67/27	1.70/26	1.72/26	1.74/25	1.76/25	1.81/24	1.84/23	1.84/23	1.84/22	1.81/22	-	-	-	-	-
5397	5293	5192	5091	4991	4889	4786	4564	4325	4069	3786	3451	-	TXB-18203	1500	2	7216
1.79/30	1.82/29	1.85/28	1.87/28	1.90/27	1.92/27	1.94/26	1.99/26	2.03/25	2.04/24	2.04/24	2.03/23	-	-	-	-	-

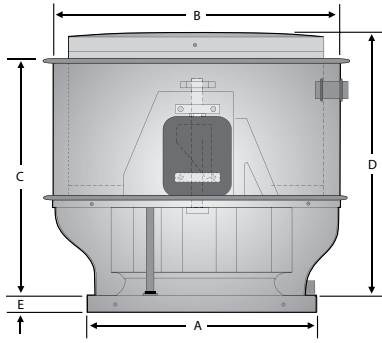
Power Ratings (BHP) does not include drive losses.  
Performance certified is for installation type A - free inlet, free outlet.  
Performance ratings do not include the effects of birdscreen in the airstream.  
The sound ratings shown are loudness values in fan sones @ 5' (1.5m) in a hemispherical free field calculated per AMCA Standard 301. Values shown are for: Installation Type A: free inlet hemispherical sone levels.



S&P, Div. of Soler & Palau Ventilation Group, certifies that the Models TXB shown herein are licensed to bear the AMCA Seal. The ratings shown are based on test and procedures performed in accordance with AMCA Publication 211 and AMCA Publication 311 and comply with the requirement of the AMCA Certified Ratings Program.



**UL STANDARD 705 for Electrical**  
**UL STANDARD 762 for Grease Removal**

**MODEL TXB****BELT DRIVE CENTRIFUGAL UPBLAST ROOF EXHAUSTER****SIZE 18 - HIGH PRESSURE**

Dimensions (in.)				
A	B	C	D	E
29-1/2	37-3/4	28-1/2	32	2-1/2

Dimensional Data				Metal Thickness			Avg. Ship Wt. (lbs.)
Damper		Roof Opening	Curb OD	Curb Cap	Wind Band	Motor Cover	
ID	OD						
24	24	24-3/4	27-3/4	.080	.050	.050	120

CFM / BHP @ Static Pressure / Sones													RPM	HP	Tip Speed	
5/8	3/4	1	1-1/4	1-1/2	1-3/4	2	2-1/4	2-1/2	2-3/4	3	3-1/4	Catalog Number				
1326	-	-	-	-	-	-	-	-	-	-	-	-	TXBHP-18254	805	1/3	3872
0.24/13.1	-	-	-	-	-	-	-	-	-	-	-	-	-	-	-	-
1479	-	-	-	-	-	-	-	-	-	-	-	-	TXBHP-18331	825	1/3	3969
0.26/13.5	-	-	-	-	-	-	-	-	-	-	-	-	-	-	-	-
1611	-	-	-	-	-	-	-	-	-	-	-	-	TXBHP-18332	845	1/3	4065
0.29/14.0	-	-	-	-	-	-	-	-	-	-	-	-	-	-	-	-
1731	1293	-	-	-	-	-	-	-	-	-	-	-	TXBHP-18333	865	1/3	4161
0.31/14.5	0.28/14.4	-	-	-	-	-	-	-	-	-	-	-	-	-	-	-
1842	1480	-	-	-	-	-	-	-	-	-	-	-	TXBHP-18334	885	1/3	4257
0.33/15.0	0.32/14.9	-	-	-	-	-	-	-	-	-	-	-	-	-	-	-
2021	1729	-	-	-	-	-	-	-	-	-	-	-	TXBHP-18501	920	1/2	4426
0.37/15.9	0.37/15.8	-	-	-	-	-	-	-	-	-	-	-	-	-	-	-
2164	1910	-	-	-	-	-	-	-	-	-	-	-	TXBHP-18502	950	1/2	4570
0.41/16.7	0.41/16.5	-	-	-	-	-	-	-	-	-	-	-	-	-	-	-
2323	2099	1244	-	-	-	-	-	-	-	-	-	-	TXBHP-18503	985	1/2	4738
0.45/17.8	0.46/17.7	0.38/17.5	-	-	-	-	-	-	-	-	-	-	-	-	-	-
2456	2249	1651	-	-	-	-	-	-	-	-	-	-	TXBHP-18504	1015	1/2	4883
0.50/19.4	0.50/19.2	0.47/18.9	-	-	-	-	-	-	-	-	-	-	-	-	-	-
2584	2391	1881	-	-	-	-	-	-	-	-	-	-	TXBHP-18751	1045	3/4	5027
0.54/21	0.55/21	0.53/21	-	-	-	-	-	-	-	-	-	-	-	-	-	-
2707	2527	2076	-	-	-	-	-	-	-	-	-	-	TXBHP-18752	1075	3/4	5171
0.58/23	0.59/23	0.59/22	-	-	-	-	-	-	-	-	-	-	-	-	-	-
2808	2639	2223	-	-	-	-	-	-	-	-	-	-	TXBHP-18753	1100	3/4	5292
0.62/24	0.63/24	0.64/24	-	-	-	-	-	-	-	-	-	-	-	-	-	-
2925	2768	2386	1802	-	-	-	-	-	-	-	-	-	TXBHP-18754	1130	3/4	5436
0.67/28	0.68/26	0.69/26	0.65/26	-	-	-	-	-	-	-	-	-	-	-	-	-
3040	2894	2538	2044	-	-	-	-	-	-	-	-	-	TXBHP-18755	1160	3/4	5580
0.72/29	0.73/29	0.75/30	0.72/28	-	-	-	-	-	-	-	-	-	-	-	-	-
3206	3076	2753	2340	-	-	-	-	-	-	-	-	-	TXBHP-18101	1205	1	5797
0.80/33	0.82/35	0.84/32	0.83/32	-	-	-	-	-	-	-	-	-	-	-	-	-
3388	3270	2980	2623	2120	-	-	-	-	-	-	-	-	TXBHP-18102	1255	1	6037
0.90/40	0.92/40	0.94/37	0.95/39	0.90/39	-	-	-	-	-	-	-	-	-	-	-	-
3548	3439	3176	2852	2439	-	-	-	-	-	-	-	-	TXBHP-18103	1300	1	6254
1.00/42	1.01/41	1.04/41	1.05/41	1.03/40	-	-	-	-	-	-	-	-	-	-	-	-
3742	3639	3405	3114	2766	2285	-	-	-	-	-	-	-	TXBHP-18151	1355	1-1/2	6518
1.12/44	1.14/44	1.17/44	1.19/43	1.19/43	1.14/43	-	-	-	-	-	-	-	-	-	-	-
3935	3837	3625	3362	3055	2671	2083	-	-	-	-	-	-	TXBHP-18152	1410	1-1/2	6783
1.25/44	1.27/47	1.31/46	1.33/46	1.35/45	1.32/45	1.22/45	-	-	-	-	-	-	-	-	-	-
4126	4032	3837	3600	3321	2995	2568	-	-	-	-	-	-	TXBHP-18153	1465	1-1/2	7047
1.39/49	1.42/49	1.46/49	1.49/48	1.51/48	1.51/48	1.45/48	-	-	-	-	-	-	-	-	-	-
4315	4224	4040	3828	3573	3284	2934	2453	-	-	-	-	-	TXBHP-18201	1520	2	7312
1.55/52	1.57/52	1.61/51	1.65/51	1.67/51	1.69/51	1.66/51	1.58/51	-	-	-	-	-	-	-	-	-
4503	4416	4240	4047	3816	3553	3250	2873	-	-	-	-	-	TXBHP-18202	1575	2	7576
1.71/55	1.74/54	1.78/54	1.82/54	1.85/54	1.87/53	1.87/53	1.83/53	-	-	-	-	-	-	-	-	-
4690	4606	4437	4259	4049	3806	3537	3219	2813	-	-	-	-	TXBHP-18203	1630	2	7841
1.88/57	1.91/57	1.97/56	2.01/56	2.04/56	2.06/56	2.08/56	2.06/56	1.99/56	-	-	-	-	-	-	-	-
5061	4983	4825	4665	4490	4287	4057	3807	3518	3168	2690	-	-	TXBHP-183001	1740	3	8370
2.27/62	2.30/62	2.36/62	2.41/62	2.45/62	2.49/62	2.51/61	2.53/61	2.52/61	2.46/61	2.34/61	-	-	-	-	-	-
5428	5356	5208	5059	4906	4735	4540	4323	4090	3829	3522	3141	-	TXBHP-183002	1850	3	8899
2.70/68	2.74/68	2.81/68	2.86/68	2.92/68	2.96/68	2.99/68	3.02/68	3.04/68	3.03/68	2.99/68	2.90/68	-	-	-	-	-

Power Ratings (BHP) does not include drive losses.

Performance certified is for installation type A - free inlet, free outlet.

Performance ratings do not include the effects of birdscreen in the airstream.

The sound ratings shown are loudness values in fan sones @ 5' (1.5m) in a hemispherical free field calculated per AMCA Standard 301. Values shown are for:

Installation Type A: free inlet hemispherical sone levels.



S&P, Div. of Soler & Palau Ventilation Group, certifies that the Models TXB shown herein are licensed to bear the AMCA Seal. The ratings shown are based on test and procedures performed in accordance with AMCA Publication 211 and AMCA Publication 311 and comply with the requirement of the AMCA Certified Ratings Program.



UL STANDARD 705 for Electrical  
UL STANDARD 762 for  
Grease Removal

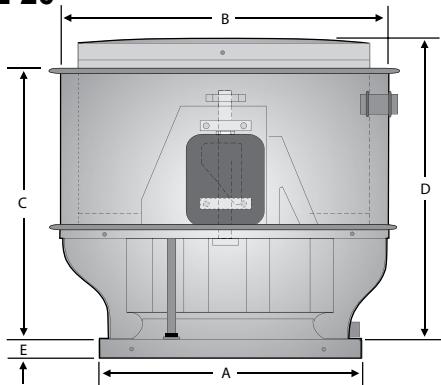




**MODEL TXB**  
BELT DRIVE CENTRIFUGAL UPBLAST ROOF EXHAUSTER



**SIZE 20**



Dimensions (in.)				
A	B	C	D	E
29-1/2	37-3/4	28-1/2	32	2-1/2

Dimensional Data				Metal Thickness			Avg. Ship Wt. (lbs.)
Damper		Roof Opening	Curb OD	Curb Cap	Wind Band	Motor Cover	
ID	OD						
24	24	24-3/4	27-3/4	.063	.050	.050	120

CFM / BHP @ Static Pressure / Sones											RPM	HP	Tip Speed
0	1/8	1/4	3/8	1/2	5/8	3/4	7/8	1	1-1/4	Catalog Number			
2813	2452	1962	-	-	-	-	-	-	-	TXB-20251	525	1/4	2935
0.15/7.6	0.16/6.7	0.17/6.4	-	-	-	-	-	-	-				
3322	3023	2684	2182	1366	-	-	-	-	-	TXB-20252	620	1/4	3466
0.24/10.3	0.26/9.4	0.27/8.9	0.27/8.7	0.22/8.6	-	-	-	-	-				
3429	3140	2818	2376	1660	-	-	-	-	-	TXB-20331	640	1/3	3578
0.26/10.7	0.28/9.8	0.30/9.3	0.30/9.1	0.26/9.0	-	-	-	-	-				
3617	3345	3045	2676	2087	1191	-	-	-	-	TXB-20332	675	1/3	3773
0.31/11.4	0.33/10.6	0.35/10.0	0.36/9.8	0.33/9.7	0.26/9.5	-	-	-	-				
3777	3518	3235	2906	2407	1708	-	-	-	-	TXB-20501	705	1/2	3941
0.35/11.9	0.38/11.2	0.39/10.6	0.41/10.4	0.39/10.2	0.34/10.0	-	-	-	-				
3965	3719	3452	3155	2753	2165	1318	-	-	-	TXB-20502	740	1/2	4137
0.41/12.8	0.43/12	0.45/11.4	0.47/11.2	0.46/11.0	0.43/10.8	0.35/10.6	-	-	-				
4152	3919	3666	3392	3054	2554	1910	-	-	-	TXB-20503	775	1/2	4332
0.47/13.7	0.49/13.2	0.52/12.5	0.53/12.2	0.54/12.0	0.51/11.8	0.46/11.6	-	-	-				
4286	4060	3817	3557	3250	2813	2242	1439	-	-	TXB-20751	800	3/4	4472
0.52/14.4	0.54/13.8	0.56/13.4	0.58/13.0	0.59/12.7	0.58/12.6	0.53/12.4	0.44/12.1	-	-				
4420	4202	3967	3718	3436	3056	2537	1883	-	-	TXB-20752	825	3/4	4612
0.57/15.2	0.59/14.6	0.62/14.0	0.64/13.7	0.65/13.6	0.64/13.3	0.60/13.1	0.54/12.9	-	-				
4554	4343	4116	3877	3612	3278	2809	2241	1423	-	TXB-20753	850	3/4	4752
0.62/16.0	0.65/15.4	0.67/14.8	0.69/14.4	0.71/14.2	0.71/14.2	0.68/14	0.62/13.8	0.51/13.6	-				
4688	4483	4264	4034	3784	3482	3067	2554	1902	-	TXB-20754	875	3/4	4891
0.68/16.9	0.70/16.3	0.73/15.7	0.75/15.2	0.77/15.0	0.77/14.8	0.75/14.6	0.71/14.3	0.63/14.1	-				
4849	4651	4441	4220	3984	3713	3359	2894	2346	-	TXB-20101	905	1	5059
0.75/17.8	0.78/17.3	0.80/16.7	0.83/16.2	0.85/16.0	0.86/15.6	0.85/15.6	0.81/15.3	0.75/15.1	-				
5037	4846	4645	4434	4212	3967	3665	3261	2785	-	TXB-20102	940	1	5255
0.84/18.9	0.87/18.4	0.90/17.9	0.92/17.4	0.94/17.1	0.96/16.9	0.96/16.8	0.93/16.4	0.88/16.1	-				
5224	5041	4848	4646	4436	4208	3944	3605	3175	2072	TXB-20103	975	1	5450
0.93/20	0.96/19.6	1.00/19.1	1.02/18.5	1.05/18.2	1.07/18	1.07/17.9	1.06/17.7	1.02/17.5	0.86/17.1				
5412	5235	5050	4856	4656	4442	4205	3915	3538	2598	TXB-20151	1010	1-1/2	5646
1.04/22	1.07/21	1.10/21	1.13/19.8	1.16/19.3	1.18/19.2	1.19/19.0	1.19/18.9	1.16/18.8	1.03/18.5				
5599	5429	5251	5065	4873	4671	4452	4197	3879	3043	TXB-20152	1045	1-1/2	5842
1.15/23	1.18/22	1.22/22	1.25/21	1.27/21	1.30/20	1.32/20	1.32/20	1.30/20	1.20/19.3				
5787	5622	5451	5272	5087	4895	4690	4462	4187	3441	TXB-20153	1080	1-1/2	6037
1.27/24	1.30/24	1.34/23	1.37/23	1.40/22	1.42/22	1.45/22	1.46/21	1.45/21	1.37/21				
5974	5815	5649	5477	5300	5116	4923	4713	4470	3808	TXB-20154	1115	1-1/2	6233
1.40/26	1.43/25	1.47/24	1.50/24	1.53/23	1.56/23	1.58/23	1.60/23	1.60/23	1.55/22				
6162	6008	5848	5682	5510	5335	5151	4954	4736	4163	TXB-20201	1150	2	6429
1.53/27	1.57/26	1.60/26	1.64/25	1.67/25	1.70/24	1.73/24	1.75/24	1.76/24	1.72/23				
6296	6145	5989	5827	5660	5489	5311	5123	4918	4398	TXB-20202	1175	2	6568
1.64/28	1.67/28	1.71/27	1.75/26	1.78/26	1.81/25	1.83/25	1.86/25	1.88/25	1.85/25				
6430	6282	6130	5972	5809	5642	5470	5289	5094	4618	TXB-20203	1200	2	6708
1.74/29	1.78/29	1.82/28	1.85/27	1.89/27	1.92/26	1.95/26	1.97/26	2.00/26	1.99/26				
6564	6419	6270	6116	5957	5795	5627	5452	5267	4825	TXB-20204	1225	2	6848
1.85/30	1.89/30	1.93/29	1.97/28	2.00/28	2.04/27	2.07/27	2.09/27	2.12/27	2.12/26				

Power Ratings (BHP) does not include drive losses.  
 Performance certified is for installation type A - free inlet, free outlet.  
 Performance ratings do not include the effects of birdscreen in the airstream.  
 The sound ratings shown are loudness values in fan sones @ 5' (1.5m) in a hemispherical free field calculated per AMCA Standard 301. Values shown are for Installation Type A: free inlet hemispherical sone levels.



S&P, Div. of Soler & Palau Ventilation Group, certifies that the Models TXB shown herein are licensed to bear the AMCA Seal. The ratings shown are based on test and procedures performed in accordance with AMCA Publication 211 and AMCA Publication 311 and comply with the requirement of the AMCA Certified Ratings Program.





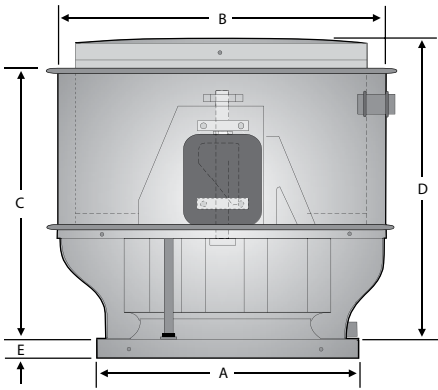


# MODEL TXB

## BELT DRIVE CENTRIFUGAL UPBLAST ROOF EXHAUSTER



### SIZE 20 - HIGH PRESSURE



Dimensions (in.)				
A	B	C	D	E
29-1/2	37-3/4	28-1/2	32	2-1/2

Dimensional Data				Metal Thickness			Avg. Ship Wt. (lbs.)
Damper		Roof Opening	Curb OD	Curb Cap	Wind Band	Motor Cover	
ID	OD						
24	24	24-3/4	27-3/4	.080	.050	.050	120

CFM / BHP @ Static Pressure / Sones													RPM	HP	Tip Speed
3/8	1/2	5/8	3/4	7/8	1	1-1/4	1-1/2	1-3/4	2	2-1/4	2-1/2	Catalog Number			
2313	1909	1373	-	-	-	-	-	-	-	-	-	TXBHP-20501	700	1/2	3940
0.30/9.4	0.29/8.3	0.26/7.4	-	-	-	-	-	-	-	-	-	TXBHP-20502	750	1/2	4222
2612	2286	1858	1316	-	-	-	-	-	-	-	-	TXBHP-20503	800	1/2	4503
0.36/10.4	0.36/9.6	0.35/8.7	0.31/8.0	-	-	-	-	-	-	-	-	TXBHP-20504	850	1/2	4784
2890	2619	2272	1837	1301	-	-	-	-	-	-	-	TXBHP-20751	875	3/4	4925
0.44/11.5	0.44/10.7	0.44/10.0	0.41/9.3	0.37/8.7	-	-	-	-	-	-	-	TXBHP-20752	905	3/4	5094
3156	2923	2635	2279	1848	1324	-	-	-	-	-	-	TXBHP-20753	935	3/4	5263
0.52/12.7	0.53/11.9	0.53/11.2	0.52/10.5	0.49/9.9	0.44/9.4	-	-	-	-	-	-	TXBHP-20754	965	3/4	5432
3284	3067	2803	2478	2086	1622	-	-	-	-	-	-	TXBHP-20101	1020	1	5741
0.57/13.4	0.58/12.7	0.58/12.0	0.57/11.4	0.55/10.7	0.51/10.2	-	-	-	-	-	-	TXBHP-20102	1070	1	6023
3437	3235	2994	2703	2352	1938	-	-	-	-	-	-	TXBHP-20151	1110	1-1/2	6248
0.63/14.6	0.64/13.8	0.64/13.1	0.64/12.4	0.62/11.8	0.59/11.2	-	-	-	-	-	-	TXBHP-20152	1150	1-1/2	6473
3586	3398	3177	2913	2598	2227	1268	-	-	-	-	-	TXBHP-20153	1190	1-1/2	6698
0.69/15.8	0.70/15.0	0.71/14.3	0.71/13.6	0.69/12.9	0.67/12.3	0.55/11.4	-	-	-	-	-	TXBHP-20154	1225	1-1/2	6895
3734	3558	3353	3112	2828	2493	1661	-	-	-	-	-	TXBHP-20201	1270	2	7148
0.75/16.9	0.77/16.2	0.78/15.5	0.78/14.8	0.77/14.1	0.75/13.5	0.66/12.3	-	-	-	-	-	TXBHP-20202	1310	2	7374
4000	3842	3662	3455	3215	2936	2248	1324	-	-	-	-	TXBHP-20203	1350	2	7599
0.88/19.2	0.90/18.6	0.91/17.8	0.92/17.1	0.92/16.4	0.91/15.7	0.85/14.4	0.71/13.6	-	-	-	-	TXBHP-20301	1390	3	7824
4238	4093	3931	3747	3538	3298	2710	1968	-	-	-	-	TXBHP-20302	1425	3	8021
1.01/21	1.03/21	1.05/20	1.06/19.4	1.06/18.7	1.06/18.0	1.02/16.5	0.93/15.3	-	-	-	-	TXBHP-20303	1460	3	8218
4427	4290	4139	3971	3781	3566	3045	2390	1555	-	-	-	TXBHP-20304	1495	3	8415
1.13/23	1.15/23	1.17/22	1.18/21	1.18/21	1.18/20	1.16/18.5	1.09/17.1	0.94/16.2	-	-	-	TXBHP-20305	1530	3	8612
4614	4485	4344	4188	4014	3820	3354	2772	2061	-	-	-	TXBHP-20501	700	1/2	3940
1.25/25	1.27/25	1.29/24	1.30/24	1.31/23	1.32/22	1.30/20	1.25/19.0	1.14/17.6	-	-	-	TXBHP-20502	750	1/2	4222
4799	4677	4545	4400	4240	4062	3643	3122	2492	1710	-	-	TXBHP-20503	800	1/2	4503
1.38/28	1.40/27	1.42/27	1.44/26	1.45/25	1.46/24	1.45/23	1.41/21	1.33/19.6	1.17/18.6	-	-	TXBHP-20504	850	1/2	4784
4960	4844	4718	4581	4431	4266	3881	3408	2835	2153	1120	-	TXBHP-20751	875	3/4	4925
1.50/30	1.52/29	1.55/29	1.56/28	1.58/27	1.59/27	1.59/25	1.56/23	1.49/21	1.37/20	1.05/19.8	-	TXBHP-20752	905	3/4	5094
5167	5057	4938	4810	4672	4520	4172	3750	3241	2642	1920	-	TXBHP-20753	935	3/4	5263
1.66/32	1.69/31	1.71/31	1.74/31	1.75/30	1.77/29	1.77/27	1.76/26	1.70/24	1.61/22	1.77/21	-	TXBHP-20754	965	3/4	5432
5349	5244	5131	5011	4880	4739	4419	4035	3576	3034	2405	1596	TXBHP-20101	1020	1	5741
1.82/33	1.85/33	1.87/32	1.90/32	1.92/31	1.93/30	1.95/29	1.94/27	1.90/26	1.82/24	1.70/22	1.46/22	TXBHP-20102	1070	1	6023
5531	5430	5323	5208	5086	4954	4656	4305	3888	3398	2832	2170	TXBHP-20151	1110	1-1/2	6248
1.98/34	2.01/34	2.04/34	2.07/34	2.09/33	2.11/32	2.13/31	2.13/29	2.10/27	2.04/26	1.94/24	1.44/23	TXBHP-20152	1150	1-1/2	6473
5712	5615	5512	5404	5287	5163	4886	4563	4183	3737	3223	2637	TXBHP-20153	1190	1-1/2	6698
2.16/35	2.19/35	2.22/35	2.25/35	2.27/34	2.29/33	2.32/32	2.33/30	2.31/29	2.26/27	2.18/26	2.05/24	TXBHP-20154	1225	1-1/2	6895
5869	5776	5677	5573	5462	5344	5082	4780	4428	4017	3543	3005	TXBHP-20201	1270	2	7148
2.32/36	2.35/36	2.38/36	2.41/35	2.44/35	2.46/34	2.49/33	2.51/31	2.50/30	2.46/28	2.39/27	2.28/26	TXBHP-20202	1310	2	7374
6027	5936	5841	5741	5635	5522	5274	4990	4662	4283	3845	3349	TXBHP-20203	1350	2	7599
2.49/37	2.52/37	2.56/36	2.59/36	2.61/36	2.64/35	2.68/34	2.69/33	2.69/31	2.66/30	2.61/28	2.51/27	TXBHP-20301	1390	3	7824
6184	6096	6004	5908	5806	5698	5462	5195	4888	4536	4131	3672	TXBHP-20302	1425	3	8021
2.67/38	2.70/38	2.74/37	2.77/37	2.80/37	2.82/36	2.86/35	2.89/34	2.89/32	2.88/32	2.83/30	2.75/29	TXBHP-20303	1460	3	8218
6340	6255	6167	6073	5975	5872	5647	5394	5107	4779	4403	3977	TXBHP-20304	1495	3	8415
2.85/38	2.89/38	2.92/38	2.96/38	2.99/38	3.02/37	3.06/36	3.09/35	3.10/34	3.09/32	3.06/31	2.99/30	TXBHP-20305	1530	3	8612

Power Ratings (BHP) does not include drive losses.  
 Performance certified is for installation type A - free inlet, free outlet.  
 Performance ratings do not include the effects of birdscreen in the airstream.  
 The sound ratings shown are loudness values in fan sones @ 5' (1.5m) in a hemispherical free field calculated per AMCA Standard 301. Values shown are for: Installation Type A: free inlet hemispherical sone levels.

AMCA CERTIFIED RATINGS  
 SOUND and AIR PERFORMANCE  
 AIR MOVEMENT AND CONTROL ASSOCIATION INTERNATIONAL, INC.

S&P, Div. of Soler & Palau Ventilation Group, certifies that the Models TXB shown herein are licensed to bear the AMCA Seal. The ratings shown are based on test and procedures performed in accordance with AMCA Publication 211 and AMCA Publication 311 and comply with the requirement of the AMCA Certified Ratings Program.

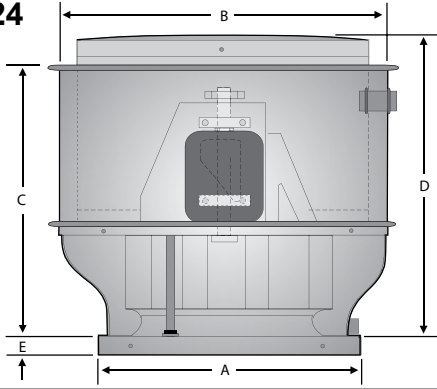
UL STANDARD 705 for Electrical  
 UL STANDARD 762 for Grease Removal



**MODEL TXB**  
**BELT DRIVE CENTRIFUGAL UPBLAST ROOF EXHAUSTER**



**SIZE 24**



Dimensions (in.)				
A	B	C	D	E
35-1/2	47-1/4	31-1/2	42	2-1/2

Dimensional Data				Metal Thickness			Avg. Ship Wt. (lbs.)
Damper		Roof Opening	Curb OD	Curb Cap	Wind Band	Motor Cover	
ID	OD						
30	30	30-3/4	33-3/4	.10	.050	.050	245

CFM / BHP @ Static Pressure / Sones													RPM	HP	Tip Speed
0	1/8	1/4	3/8	1/2	5/8	3/4	1	1-1/4	1-1/2	1-3/4	2	Catalog Number			
3681	3200	2377	-	-	-	-	-	-	-	-	-	TXB-24251	400	1/4	2566
0.15/7.3	0.17/6.0	0.17/4.6	-	-	-	-	-	-	-	-	-	-	-	-	-
4141	3728	3170	-	-	-	-	-	-	-	-	-	TXB-24252	450	1/4	2886
0.22/9.1	0.24/7.8	0.25/6.4	-	-	-	-	-	-	-	-	-	-	-	-	-
4371	3985	3490	2537	-	-	-	-	-	-	-	-	TXB-24331	475	1/3	3047
0.26/9.8	0.29/8.5	0.29/7.3	0.27/6.0	-	-	-	-	-	-	-	-	-	-	-	-
4555	4188	3731	3018	-	-	-	-	-	-	-	-	TXB-24332	495	1/3	3175
0.29/10.3	0.32/9.2	0.33/8.0	0.33/6.8	-	-	-	-	-	-	-	-	-	-	-	-
4601	4238	3789	3114	-	-	-	-	-	-	-	-	TXB-24501	500	1/2	3207
0.30/10.4	0.33/9.3	0.34/8.2	0.34/6.9	-	-	-	-	-	-	-	-	-	-	-	-
4831	4488	4077	3516	2235	-	-	-	-	-	-	-	TXB-24502	525	1/2	3367
0.35/11.1	0.38/10.0	0.40/9.0	0.40/7.8	0.34/6.8	-	-	-	-	-	-	-	-	-	-	-
5015	4687	4300	3800	2825	-	-	-	-	-	-	-	TXB-24503	545	1/2	3496
0.39/11.6	0.42/10.6	0.44/9.7	0.44/8.5	0.41/7.6	-	-	-	-	-	-	-	-	-	-	-
5199	4884	4519	4063	3346	-	-	-	-	-	-	-	TXB-24504	565	1/2	3624
0.44/12.2	0.47/11.2	0.49/10.3	0.50/9.2	0.48/8.3	-	-	-	-	-	-	-	-	-	-	-
5291	4982	4626	4190	3552	1261	-	-	-	-	-	-	TXB-24751	575	3/4	3688
0.46/12.6	0.49/11.5	0.52/10.6	0.52/9.5	0.52/8.6	0.28/7.8	-	-	-	-	-	-	-	-	-	-
5705	5421	5103	4730	4259	3462	-	-	-	-	-	-	TXB-24752	620	3/4	3977
0.58/14.3	0.61/13.3	0.64/12.4	0.65/11.4	0.66/10.4	0.62/9.5	-	-	-	-	-	-	-	-	-	-
5935	5663	5362	5016	4596	4012	2813	-	-	-	-	-	TXB-24753	645	3/4	4137
0.65/15.4	0.69/14.3	0.72/13.4	0.73/12.6	0.74/11.4	0.73/10.5	0.63/9.6	-	-	-	-	-	-	-	-	-
5981	5712	5413	5072	4661	4099	2979	-	-	-	-	-	TXB-24754	650	3/4	4169
0.66/15.6	0.70/14.5	0.73/13.6	0.75/12.8	0.75/11.6	0.75/10.7	0.66/9.8	-	-	-	-	-	-	-	-	-
6212	5953	5669	5349	4975	4498	3680	-	-	-	-	-	TXB-24101	675	1	4329
0.74/16.6	0.79/15.6	0.82/14.7	0.84/13.7	0.84/12.8	0.84/11.8	0.79/10.8	-	-	-	-	-	-	-	-	-
6396	6145	5871	5567	5216	4787	4163	-	-	-	-	-	TXB-24102	695	1	4458
0.81/17.4	0.86/16.5	0.89/15.6	0.91/14.7	0.92/13.6	0.92/12.6	0.90/11.7	-	-	-	-	-	-	-	-	-
6580	6336	6073	5782	5451	5058	4541	-	-	-	-	-	TXB-24103	715	1	4586
0.88/18.4	0.93/17.3	0.97/16.4	0.99/15.6	1.00/14.6	1.00/13.5	1.00/12.6	-	-	-	-	-	-	-	-	-
6626	6384	6123	5835	5509	5124	4623	-	-	-	-	-	TXB-24104	720	1	4618
0.90/18.6	0.95/17.6	0.98/16.6	1.01/15.8	1.02/14.8	1.03/13.7	1.02/12.8	-	-	-	-	-	-	-	-	-
6856	6623	6373	6099	5794	5442	5011	3256	-	-	-	-	TXB-24151	745	1-1/2	4778
1.00/19.8	1.05/18.8	1.09/17.8	1.11/16.9	1.13/16.0	1.13/14.9	1.14/13.9	0.97/12.2	-	-	-	-	-	-	-	-
7178	6956	6720	6464	6183	5867	5498	4265	-	-	-	-	TXB-24152	780	1-1/2	5003
1.15/21	1.120/20	1.24/19.5	1.27/18.6	1.29/17.7	1.30/16.7	1.30/15.6	1.22/13.8	-	-	-	-	-	-	-	-
7362	7146	6917	6670	6401	6102	5759	4754	-	-	-	-	TXB-24153	800	1-1/2	5131
1.24/23	1.29/21	1.33/21	1.37/19.6	1.39/18.7	1.40/17.7	1.41/16.6	1.37/14.7	-	-	-	-	-	-	-	-
7546	7336	7113	6874	6616	6332	6010	5146	2245	-	-	-	TXB-24154	820	1-1/2	5259
1.33/24	1.39/23	1.43/22	1.47/21	1.49/19.7	1.15/18.7	1.51/17.6	1.50/15.7	0.93/14.0	-	-	-	-	-	-	-
7730	7525	7309	7078	6829	6557	6254	5477	3873	-	-	-	TXB-24201	840	2	5388
1.43/25	1.49/24	1.54/23	1.57/22	1.60/21	1.62/19.8	1.63/18.7	1.62/16.7	1.43/15.0	-	-	-	-	-	-	-
7960	7761	7552	7330	7092	6835	6552	5854	4566	-	-	-	TXB-24202	865	2	5548
1.56/26	1.62/25	1.67/24	1.71/23	1.74/22	1.76/21	1.77/20	1.78/18	1.63/16.2	-	-	-	-	-	-	-
8098	7903	7698	7481	7249	6999	6726	6067	4977	-	-	-	TXB-24203	880	2	5644
1.65/27	1.71/26	1.76/25	1.80/24	1.83/23	1.85/22	1.87/21	1.87/18.8	1.78/17.0	-	-	-	-	-	-	-
8282	8091	7892	7681	7457	7216	6956	6339	5433	-	-	-	TXB-24204	900	2	5773
1.76/28	1.82/27	1.87/26	1.92/24	1.95/23	1.98/23	1.99/22	2.00/19.8	1.96/18.0	-	-	-	-	-	-	-
8742	8562	8374	8178	7970	7750	7514	6979	6292	5073	-	-	TXB-24301	950	3	6093
2.07/30	2.14/29	2.19/28	2.24/27	2.28/26	2.31/25	2.33/24	2.35/22	2.35/20	2.18/18.8	-	-	-	-	-	-
9432	9266	9093	8914	8727	8531	8324	7869	7334	6649	5447	-	TXB-24302	1025	3	6574
2.60/32	2.67/32	2.74/31	2.79/30	2.84/29	2.88/28	2.91/28	2.95/26	2.96/24	2.95/23	2.73/21	-	-	-	-	-

Power Ratings (BHP) does not include drive losses.  
Performance certified is for installation type A - free inlet, free outlet.  
Performance ratings do not include the effects of birdscreen in the airstream.  
The sound ratings shown are loudness values in fan sones @ 5' (1.5m) in a hemispherical free field calculated per AMCA Standard 301. Values shown are for: Installation Type A: free inlet hemispherical sone levels.



S&P, Div. of Soler & Palau Ventilation Group, certifies that the Models TXB shown herein are licensed to bear the AMCA Seal. The ratings shown are based on test and procedures performed in accordance with AMCA Publication 211 and AMCA Publication 311 and comply with the requirement of the AMCA Certified Ratings Program.



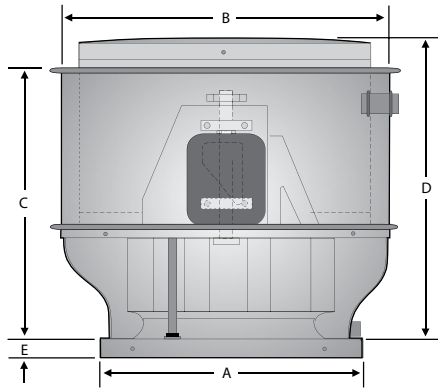
**UL STANDARD 705 for Electrical**  
**UL STANDARD 762 for Grease Removal**



**MODEL TXB**  
BELT DRIVE CENTRIFUGAL UPBLAST ROOF EXHAUSTER



**SIZE 24 - HIGH PRESSURE**



Dimensions (in.)				
A	B	C	D	E
35-1/2	47-1/4	31-1/2	42	2-1/2

Dimensional Data				Metal Thickness			Avg. Ship Wt. (lbs.)
Damper		Roof Opening	Curb OD	Curb Cap	Wind Band	Motor Cover	
ID	OD						
30	30	30-3/4	33-3/4	.10	.050	.050	245

CFM / BHP @ Static Pressure / Sones													RPM	HP	Tip Speed
1/2	5/8	3/4	1	1-1/4	1-1/2	1-3/4	2	2-1/4	2-1/2	2-3/4	3	Catalog Number			
2597 0.38/7.7	1496 0.31/7.5	-	-	-	-	-	-	-	-	-	-	TXBHP-24501	580	1/2	3720
3129 0.47/9.0	2441 0.45/8.4	-	-	-	-	-	-	-	-	-	-	TXBHP-24503	620	1/2	3977
3364 0.52/9.7	2775 0.5/9.0	1785 0.44/8.9	-	-	-	-	-	-	-	-	-	TXBHP-24504	640	1/2	4105
3639 0.58/10.7	3137 0.57/10.0	2399 0.54/9.6	-	-	-	-	-	-	-	-	-	TXBHP-24751	665	3/4	4265
3848 0.63/11.5	3397 0.63/10.7	2777 0.61/10.1	-	-	-	-	-	-	-	-	-	TXBHP-24752	685	3/4	4394
4294 0.76/13.3	3922 0.77/12.6	3457 0.76/12.0	1766 0.61/11.5	-	-	-	-	-	-	-	-	TXBHP-24754	730	3/4	4682
4483 0.82/14.0	4138 0.83/13.5	3717 0.83/12.8	2362 0.73/12.1	-	-	-	-	-	-	-	-	TXBHP-24101	750	1	4810
4668 0.88/14.8	4345 0.9/14.3	3959 0.9/13.6	2814 0.84/12.7	-	-	-	-	-	-	-	-	TXBHP-24102	770	1	4939
4850 0.95/15.7	4546 0.96/15.2	4189 0.97/14.5	3190 0.93/13.3	439 0.43/13.3	-	-	-	-	-	-	-	TXBHP-24103	790	1	5067
5028 1.02/16.5	4741 1.04/16.0	4409 1.05/15.5	3518 1.02/14.1	1738 0.79/13.9	-	-	-	-	-	-	-	TXBHP-24104	810	1	5195
5291 1.13/17.7	5026 1.15/17.3	4724 1.16/16.9	3952 1.16/15.5	2678 1.04/15.0	-	-	-	-	-	-	-	TXBHP-24151	840	1-1/2	5388
5550 1.25/19.0	5302 1.27/18.5	5025 1.29/18.1	4341 1.29/16.9	3325 1.22/16.0	948 0.73/16.0	-	-	-	-	-	-	TXBHP-24152	870	1-1/2	5580
5762 1.35/20	5527 1.38/19.6	5267 1.4/19.2	4641 1.41/18.1	3764 1.37/16.9	2197 1.13/16.8	-	-	-	-	-	-	TXBHP-24153	895	1-1/2	5740
6013 1.49/22	5793 1.51/21	5550 1.53/21	4979 1.56/19.6	4221 1.54/18.4	3051 1.4/17.9	-	-	-	-	-	-	TXBHP-24154	925	1-1/2	5933
6221 1.6/23	6010 1.63/22	5780 1.66/22	5248 1.68/21	4564 1.68/19.6	3585 1.59/18.8	1671 1.17/18.8	-	-	-	-	-	TXBHP-24201	950	2	6093
6426 1.73/24	6224 1.76/23	6006 1.78/23	5506 1.82/22	4882 1.82/21	4034 1.76/19.7	2646 1.52/19.7	-	-	-	-	-	TXBHP-24202	975	2	6254
6589 1.83/25	6394 1.86/24	6184 1.89/24	5708 1.93/23	5122 1.94/22	4354 1.9/21	3196 1.73/20	-	-	-	-	-	TXBHP-24203	995	2	6382
6792 1.97/26	6605 2/25	6404 2.03/25	5953 2.07/24	5410 2.09/23	4719 2.06/22	3751 1.95/21	2000 1.52/21	-	-	-	-	TXBHP-24204	1020	2	6542
7353 2.38/28	7184 2.41/28	7005 2.45/28	6611 2.5/27	6156 2.54/26	5612 2.55/25	4930 2.51/24	4001 2.38/23	2463 1.97/23	-	-	-	TXBHP-24301	1090	3	6991
7945 2.88/32	7792 2.92/32	7631 2.96/31	7283 3.02/31	6891 3.08/30	6443 3.11/29	5915 3.11/28	5267 3.06/26	4419 2.93/26	3152 2.59/26	-	-	TXBHP-24302	1165	3	7472
8764 3.7/36	8628 3.74/36	8486 3.79/36	8185 3.87/36	7855 3.93/35	7490 3.99/34	7081 4.02/33	6612 4.03/32	6063 4/31	5393 3.92/30	4524 3.72/30	3253 3.28/30	TXBHP-245001	1270	5	8146
9611 4.71/42	9489 4.76/42	9362 4.81/42	9097 4.9/42	8812 4.98/41	8505 5.05/40	8169 5.11/39	7799 5.15/38	7386 5.17/37	6918 5.16/36	6375 5.11/35	5724 5/34	TXBHP-245002	1380	5	8851

Power Ratings (BHP) does not include drive losses.  
Performance certified is for installation type A - free inlet, free outlet.  
Performance ratings do not include the effects of birdscreen in the airstream.  
The sound ratings shown are loudness values in fan sones @ 5' (1.5m) in a hemispherical free field calculated per AMCA Standard 301. Values shown are for Installation Type A: free inlet hemispherical sone levels.



S&P, Div. of Soler & Palau Ventilation Group, certifies that the Models TXB shown herein are licensed to bear the AMCA Seal. The ratings shown are based on test and procedures performed in accordance with AMCA Publication 211 and AMCA Publication 311 and comply with the requirement of the AMCA Certified Ratings Program.



UL STANDARD 705 for Electrical  
UL STANDARD 762 for  
Grease Removal

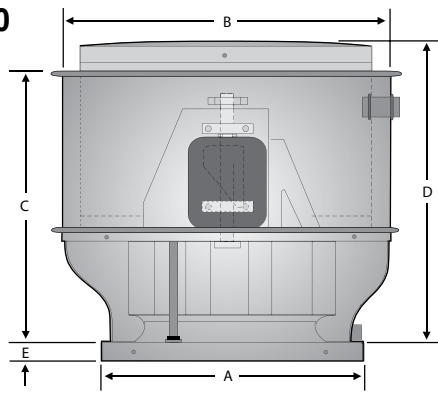


# MODEL TXB

## BELT DRIVE CENTRIFUGAL UPBLAST ROOF EXHAUSTER



### SIZE 30



Dimensions (in.)				
A	B	C	D	E
42-1/2	56-3/4	41	45	2-1/2

Dimensional Data				Metal Thickness			Avg. Ship Wt. (lbs.)
Damper		Roof Opening	Curb OD	Curb Cap	Wind Band	Motor Cover	
ID	OD						
36	36	37-3/4	40-3/4	.090	.050	.050	365

CFM / BHP @ Static Pressure / Sones													Catalog Number	RPM	HP	Tip Speed
1/8	1/4	3/8	1/2	5/8	3/4	1	1-1/4	1-1/2	1-3/4	2	2-1/4					
3720 0.16/3.8	-	-	-	-	-	-	-	-	-	-	-	-	TXB-30331	280	1/3	2236
4477 0.23/4.9	-	-	-	-	-	-	-	-	-	-	-	-	TXB-30332	315	1/3	2515
5280 0.32/6.2	4249 0.34/5.8	-	-	-	-	-	-	-	-	-	-	-	TXB-30333	355	1/3	2835
5572 0.36/6.7	4639 0.38/6.3	-	-	-	-	-	-	-	-	-	-	-	TXB-30501	370	1/2	2954
5860 0.41/7.2	5005 0.43/6.8	3594 0.41/6.3	-	-	-	-	-	-	-	-	-	-	TXB-30502	385	1/2	3074
6240 0.47/7.9	5466 0.50/7.5	4315 0.49/7.1	-	-	-	-	-	-	-	-	-	-	TXB-30503	405	1/2	3234
6615 0.54/8.6	5902 0.57/8.2	4931 0.58/7.8	3194 0.51/7.2	-	-	-	-	-	-	-	-	-	TXB-30751	425	3/4	3394
6987 0.62/9.3	6322 0.65/8.9	5474 0.67/8.5	4167 0.63/8.1	-	-	-	-	-	-	-	-	-	TXB-30752	445	3/4	3553
7356 0.70/10.0	6730 0.74/9.6	5973 0.76/9.3	4894 0.74/9.0	-	-	-	-	-	-	-	-	-	TXB-30753	465	3/4	3713
7631 0.77/10.7	7032 0.81/10.2	6328 0.83/9.8	5375 0.83/9.6	3866 .075/8.9	-	-	-	-	-	-	-	-	TXB-30101	480	1	3833
7904 0.84/11.3	7328 0.88/10.8	6671 0.91/10.4	5814 0.91/10.2	4598 0.86/9.7	-	-	-	-	-	-	-	-	TXB-30102	495	1	3952
8176 0.91/11.9	7622 0.96/11.5	7003 1.00/11.1	6221 1.00/10.7	5125 0.97/10.4	-	-	-	-	-	-	-	-	TXB-30103	510	1	4072
8628 1.05/13.1	8106 1.10/12.6	7534 1.13/12.2	6850 1.15/11.7	5959 1.15/11.5	4685 1.07/10.9	-	-	-	-	-	-	-	TXB-30151	535	1-1/2	4272
9078 1.20/14.2	8583 1.25/13.8	8050 1.29/13.3	7440 1.32/12.8	6682 1.32/12.5	5662 1.29/12.1	-	-	-	-	-	-	-	TXB-30152	560	1-1/2	4471
9525 1.36/15.3	9055 1.42/14.8	8555 1.46/14.4	8001 1.50/14.0	7334 1.51/13.6	6495 1.50/13.2	-	-	-	-	-	-	-	TXB-30153	585	1-1/2	4671
9881 1.50/16.2	9429 1.56/15.7	8951 1.61/15.2	8431 1.65/14.8	7824 1.67/14.4	7087 1.67/14.2	4766 1.50/13.1	-	-	-	-	-	-	TXB-30201	605	2	4831
10325 1.69/17.3	9894 1.75/16.8	9440 1.80/16.4	8954 1.85/15.9	8407 1.88/15.6	7758 1.89/15.2	5919 1.79/14.4	-	-	-	-	-	-	TXB-30202	630	2	5030
10680 1.85/18.1	10263 1.91/17.7	9827 1.97/17.3	9364 2.02/16.9	8855 2.05/16.5	8262 2.07/16.1	6658 2.02/15.4	-	-	-	-	-	-	TXB-30203	650	2	5190
11122 2.07/19.3	10721 2.13/18.8	10306 2.19/18.4	9868 2.25/18.1	9397 2.29/17.7	8860 2.31/17.3	7484 2.30/16.7	5245 2.08/15.6	-	-	-	-	-	TXB-30301	675	3	5390
11650 2.35/20	11268 2.42/20	10874 2.48/19.8	10462 2.54/19.5	10024 2.59/19.1	9545 2.62/18.8	8360 2.64/18.1	6643 2.52/17.2	-	-	-	-	-	TXB-30302	705	3	5629
12177 2.66/22	11812 2.73/22	11437 2.80/21	11047 2.86/20	10637 2.91/21	10199 2.96/20	9152 3.00/19.6	7730 2.94/19.0	5454 2.65/18.1	-	-	-	-	TXB-30303	735	3	5869
12966 3.17/24	12623 3.24/24	12273 3.32/23	11911 3.39/23	11535 3.45/23	11140 3.50/22	10244 3.57/22	9119 3.57/21	7571 3.44/21	-	-	-	-	TXB-305001	780	5	6228
13839 3.80/26	13518 3.89/26	13191 3.97/26	12856 4.04/25	12511 4.11/25	12152 4.17/25	11374 4.27/25	10439 4.32/24	9268 4.28/23	7696 4.09/23	-	-	-	TXB-305002	830	5	6627
14623 4.44/29	14319 4.53/28	14011 4.62/28	13696 4.70/27	13373 4.78/27	13040 4.85/27	12332 4.96/27	11522 5.04/26	10552 5.05/26	9325 4.97/25	7711 4.71/25	-	-	TXB-305003	875	5	6987
15752 5.50/32	15471 5.59/32	15185 5.69/31	14895 5.78/31	14599 5.86/30	14296 5.94/30	13661 6.08/30	12977 6.19/30	12187 6.26/29	11261 6.26/29	10120 6.17/29	8680 5.93/28	-	TXB-307501	940	7-1/2	7506
16792 6.60/36	16528 6.71/35	16261 6.81/35	15990 6.90/34	15715 7.00/34	15434 7.09/34	14854 7.25/34	14238 7.38/33	13564 7.49/33	12794 7.54/33	11905 7.54/32	10831 7.44/32	-	TXB-307502	1000	7-1/2	7985

Power Ratings (BHP) does not include drive losses.  
 Performance certified is for installation type A - free inlet, free outlet.  
 Performance ratings do not include the effects of birdscreen in the airstream.  
 The sound ratings shown are loudness values in fan sones @ 5' (1.5m) in a hemispherical free field calculated per AMCA Standard 301. Values shown are for: Installation Type A: free inlet hemispherical sone levels.



S&P, Div. of Soler & Palau Ventilation Group, certifies that the Models TXB shown herein are licensed to bear the AMCA Seal. The ratings shown are based on test and procedures performed in accordance with AMCA Publication 211 and AMCA Publication 311 and comply with the requirement of the AMCA Certified Ratings Program.



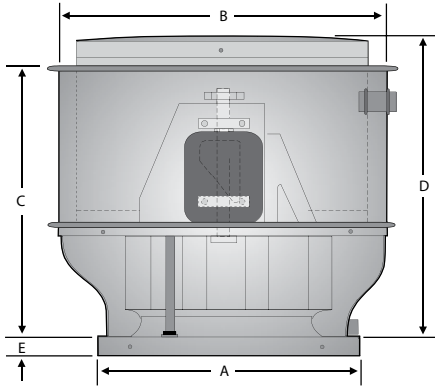
UL STANDARD 705 for Electrical  
 UL STANDARD 762 for Grease Removal



**MODEL TXB**  
BELT DRIVE CENTRIFUGAL UPBLAST ROOF EXHAUSTER



**SIZE 30 - HIGH PRESSURE**



Dimensions (in.)				
A	B	C	D	E
42-1/2	56-3/4	41	45	2-1/2

Dimensional Data				Metal Thickness			Avg. Ship Wt. (lbs.)
Damper		Roof Opening	Curb OD	Curb Cap	Wind Band	Motor Cover	
ID	OD						
36	36	37-3/4	40-3/4	.090	.050	.050	365

CFM / BHP @ Static Pressure / Sones													RPM	HP	Tip Speed	
1/4	3/8	1/2	5/8	3/4	1	1-1/4	1-1/2	1-3/4	2	2-1/4	2-1/2	Catalog Number				
3328 0.24/4.3	-	-	-	-	-	-	-	-	-	-	-	-	TXBHP-30332	345	1/3	2755
4276 0.34/ 5.5	-	-	-	-	-	-	-	-	-	-	-	-	TXBHP-30333	385	1/3	3074
4666 0.39/6.2	3395 0.38/5.8	-	-	-	-	-	-	-	-	-	-	-	TXBHP-30501	405	1/2	3234
4942 0.43/6.7	3992 0.44/6.2	-	-	-	-	-	-	-	-	-	-	-	TXBHP-30502	420	1/2	3354
5298 0.49/7.3	4548 0.51/6.8	-	-	-	-	-	-	-	-	-	-	-	TXBHP-30503	440	1/2	3513
5643 0.56/8.0	4997 0.58/7.4	3645 0.54/7.1	-	-	-	-	-	-	-	-	-	-	TXBHP-30751	460	3/4	3673
5980 0.63/8.7	5407 0.65/8.2	4430 0.65/7.8	-	-	-	-	-	-	-	-	-	-	TXBHP-30752	480	3/4	3833
6311 0.70/9.5	5789 0.73/8.9	5053 0.74/8.4	3581 0.68/8.3	-	-	-	-	-	-	-	-	-	TXBHP-30753	500	3/4	3992
6638 0.79/10.3	6154 0.82/9.6	5527 0.84/9.1	4265 0.79/9.0	-	-	-	-	-	-	-	-	-	TXBHP-30101	520	1	4152
6880 0.85/10.9	6420 0.89/10.3	5851 0.91/9.7	4890 0.89/9.4	3348 0.77/9.5	-	-	-	-	-	-	-	-	TXBHP-30102	535	1	4272
7201 0.94/11.8	6767 0.98/11.1	6258 1.01/10.6	5545 1.02/10.1	4180 0.94/10.1	-	-	-	-	-	-	-	-	TXBHP-30103	555	1	4432
7597 1.07/12.7	7192 1.11/12.2	6734 1.14/11.5	6148 1.16/11.0	5113 1.13/10.9	-	-	-	-	-	-	-	-	TXBHP-30151	580	1-1/2	4631
7989 1.20/13.6	7608 1.25/13.0	7817 1.29/12.5	6684 1.31/12.0	5996 1.32/11.6	-	-	-	-	-	-	-	-	TXBHP-30152	605	1-1/2	4831
8379 1.35/14.6	8018 1.40/14.0	7627 1.44/13.5	7181 1.47/13.0	6614 1.49/12.5	4439 1.35/12.4	-	-	-	-	-	-	-	TXBHP-30153	630	1-1/2	5030
8765 1.51/15.6	8423 1.56/15.0	8055 1.61/14.4	7649 1.64/14.0	7161 1.67/13.5	5303 1.58/13.2	-	-	-	-	-	-	-	TXBHP-30201	655	2	5230
9073 1.64/16.3	8743 1.70/15.8	8393 1.75/15.3	8011 1.79/14.8	7570 1.82/14.3	6119 1.79/13.9	-	-	-	-	-	-	-	TXBHP-30202	675	2	5390
9456 1.82/17.3	9141 1.88/16.8	8808 1.94/16.3	8451 1.98/15.8	8055 2.02/15.4	6960 2.04/14.7	-	-	-	-	-	-	-	TXBHP-30203	700	2	5589
9988 2.09/18.7	9692 2.16/18.2	9381 2.22/17.8	9052 2.27/17.3	8696 2.31/16.9	7808 2.36/16.1	6018 2.24/16.3	-	-	-	-	-	-	TXBHP-30301	735	3	5869
10443 2.35/19.9	10159 2.42/19.4	9865 2.48/19.0	9556 2.54/18.6	9226 2.59/18.2	8449 2.66/17.4	7224 2.63/17.3	-	-	-	-	-	-	TXBHP-30302	765	3	6108
10970 2.67/21	10701 2.75/21	10423 2.82/21	10134 2.88/20	9828 2.93/20	9143 3.02/19.0	8224 3.05/19.0	6421 2.87/19.0	-	-	-	-	-	TXBHP-30303	800	3	6388
11720 3.18/23	11469 3.26/23	11211 3.34/23	10944 3.41/22	10667 3.47/22	10065 3.58/21	9337 3.65/21	8308 3.64/21	6462 3.39/21	-	-	-	-	TXBHP-305001	850	5	6787
12392 3.69/26	12155 3.78/25	11912 3.86/25	11663 3.94/24	11405 4.01/24	10855 4.13/23	10233 4.22/23	9445 4.27/22	8174 4.18/23	-	-	-	-	TXBHP-305002	895	5	7146
13135 4.32/28	12912 4.42/28	12684 4.51/27	12451 4.59/27	12211 4.67/26	11708 4.81/26	11156 4.92/25	10513 4.96/25	8529 5.03/25	6658 4.85/25	6658 4.54/25	-	-	TXBHP-305003	945	5	7546
14172 5.32/32	13964 5.43/31	13754 5.53/30	13541 5.62/30	13322 5.71/30	12868 5.87/29	12385 6.01/28	11856 6.12/28	11239 6.20/28	10477 6.23/28	9274 6.10/28	7691 5.77/29	-	TXBHP-307501	1015	7-1/2	8104
15130 6.38/36	14936 6.49/35	14740 6.60/35	14541 6.71/34	14338 6.81/34	13921 6.99/33	13483 7.15/32	13015 7.28/31	12504 7.39/31	11910 7.47/31	11193 7.50/31	10150 7.40/31	-	TXBHP-307502	1080	7-1/2	8623

Power Ratings (BHP) does not include drive losses.  
Performance certified is for installation type A - free inlet, free outlet.  
Performance ratings do not include the effects of birdscreen in the airstream.  
The sound ratings shown are loudness values in fan sones @ 5' (1.5m) in a hemispherical free field calculated per AMCA Standard 301. Values shown are for Installation Type A: free inlet hemispherical sone levels.



S&P, Div. of Soler & Palau Ventilation Group, certifies that the Models TXB shown herein are licensed to bear the AMCA Seal. The ratings shown are based on test and procedures performed in accordance with AMCA Publication 211 and AMCA Publication 311 and comply with the requirement of the AMCA Certified Ratings Program.



UL STANDARD 705 for Electrical  
UL STANDARD 762 for Grease Removal



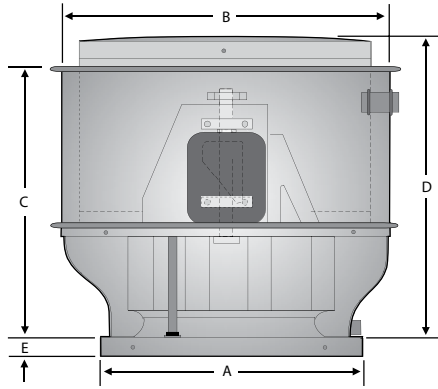


# MODEL TXB

## BELT DRIVE CENTRIFUGAL UPBLAST ROOF EXHAUSTER



### SIZE 36



Dimensions (in.)				
A	B	C	D	E
42-1/2	66	44	48	2-1/2

Dimensional Data				Metal Thickness			Avg. Ship Wt. (lbs.)
Damper		Roof Opening	Curb OD	Curb Cap	Wind Band	Motor Cover	
ID	OD						
36	36	37-3/4	40-3/4	.090	.050	.050	365

CFM / BHP @ Static Pressure / Sones													RPM	HP	Tip Speed
0	1/8	1/4	3/8	1/2	5/8	3/4	1	1-1/4	1-1/2	1-3/4	2	Catalog Number			
7797	6629	4391	-	-	-	-	-	-	-	-	-	TXB-36501	270	1/2	2523
0.30/5.3	0.33/4.9	0.31/4.3	-	-	-	-	-	-	-	-	-	TXB-36502	310	1/2	2896
8953	8009	6496	3165	-	-	-	-	-	-	-	-	TXB-36751	325	3/4	3036
0.45/6.8	0.49/6.4	0.50/6.0	0.35/4.4	-	-	-	-	-	-	-	-	TXB-36852	340	3/4	3177
9386	8503	7139	5105	-	-	-	-	-	-	-	-	TXB-36753	355	3/4	3317
0.52/7.3	0.56/6.9	0.57/6.6	0.53/5.6	-	-	-	-	-	-	-	-	TXB-36101	370	1	3457
9819	8988	7771	5791	-	-	-	-	-	-	-	-	TXB-36102	380	1	3550
0.60/7.9	0.64/7.5	0.66/7.2	0.62/6.8	-	-	-	-	-	-	-	-	TXB-36103	395	1	3690
10252	9468	8369	6717	-	-	-	-	-	-	-	-	TXB-36151	415	1-1/2	3877
0.68/8.5	0.72/8.1	0.75/7.7	0.73/7.4	-	-	-	-	-	-	-	-	TXB-36152	430	1-1/2	4017
10685	9942	8940	7521	5459	-	-	-	-	-	-	-	TXB-36153	450	1-1/2	4204
0.77/9.1	0.81/8.7	0.85/8.3	0.84/8.0	0.76/6.8	-	-	-	-	-	-	-	TXB-36201	460	2	4298
10974	10255	9308	7971	6124	-	-	-	-	-	-	-	TXB-36202	470	2	4391
0.83/9.5	0.88/9.1	0.92/8.7	0.91/8.4	0.85/7.7	-	-	-	-	-	-	-	TXB-36203	480	2	4484
11407	10722	9844	8611	6793	-	-	-	-	-	-	-	TXB-36204	495	2	4625
0.93/10.2	0.98/9.8	1.02/9.4	1.03/9.0	0.97/8.7	-	-	-	-	-	-	-	TXB-36301	515	3	4811
11985	11339	10537	9459	8086	6251	-	-	-	-	-	-	TXB-36302	530	3	4952
1.08/11.0	1.14/10.6	1.18/10.3	1.20/9.9	1.17/9.6	1.08/8.4	-	-	-	-	-	-	TXB-36303	550	3	5138
12418	11799	11045	10063	8812	7081	-	-	-	-	-	-	TXB-36304	565	3	5279
1.21/11.8	1.26/11.3	1.31/10.9	1.33/10.6	1.32/10.3	1.24/9.7	-	-	-	-	-	-	TXB-365001	585	5	5465
12996	12410	11710	10832	9685	8075	6094	-	-	-	-	-	TXB-365002	605	5	5652
1.34/12.7	1.44/12.4	1.49/12.0	1.53/11.5	1.52/11.2	1.46/10.9	1.32/9.5	-	-	-	-	-	TXB-365003	630	5	5886
13285	12713	12037	11203	10113	8792	7239	-	-	-	-	-	TXB-365004	650	5	6073
1.48/13.2	1.53/12.8	1.59/12.5	1.63/12.1	1.63/11.7	1.59/11.4	1.50/10.3	-	-	-	-	-	TXB-365005	670	5	6260
13573	13016	12362	11566	10540	9344	7711	-	-	-	-	-	TXB-367501	720	7-1/2	6727
1.50/13.7	1.63/13.3	1.69/12.9	1.73/12.7	1.74/12.2	1.71/11.9	1.62/11.4	-	-	-	-	-	TXB-367502	765	7-1/2	7147
13862	13318	12685	11923	10955	9817	8152	-	-	-	-	-				
1.68/14.2	1.74/13.8	1.79/13.4	1.84/13.0	1.86/12.8	1.83/12.4	1.74/12.2	-	-	-	-	-				
14295	13770	13165	12449	11560	10483	8988	-	-	-	-	-				
1.84/15.0	1.90/14.6	1.96/14.2	2.01/13.8	2.04/13.5	2.02/13.3	1.95/13.0	-	-	-	-	-				
14873	14371	13799	13135	12334	11337	10243	-	-	-	-	-				
2.07/15.9	2.14/15.6	2.20/15.2	2.25/14.8	2.29/14.5	2.29/14.2	2.25/14.0	-	-	-	-	-				
15306	14819	14271	13640	12894	11973	10944	8299	-	-	-	-				
2.26/16.6	2.32/16.3	2.39/16.0	2.45/15.6	2.49/15.3	2.50/15.1	2.47/14.8	2.29/13.4	-	-	-	-				
15884	15416	14895	14304	13617	12788	11814	9226	-	-	-	-				
2.52/17.7	2.59/17.3	2.66/16.9	2.72/16.6	2.77/16.4	2.79/16.2	2.78/16.0	2.61/15.5	-	-	-	-				
16317	15863	15361	14795	14146	13377	12455	9936	-	-	-	-				
2.74/18.5	2.81/18.1	2.87/17.7	2.94/17.4	2.99/17.2	3.03/17	3.02/16.8	2.87/16.3	-	-	-	-				
16894	16458	15978	15443	14837	14135	13299	11336	8629	-	-	-				
3.04/19.5	3.11/19.1	3.18/18.8	3.25/18.5	3.31/18.3	3.35/18.1	3.36/17.8	3.28/17.4	3.01/15.6	-	-	-				
17472	17052	16592	16085	15516	14868	14109	12318	9875	-	-	-				
3.36/21	3.43/20	3.51/20	3.58/20	3.64/19.0	3.69/19.0	3.72/19.0	3.67/19.0	3.45/18.0	-	-	-				
18194	17792	17356	16877	16349	15756	15078	13425	11005	-	-	-				
3.79/22	3.87/22	3.95/21	4.02/21	4.09/21	4.15/21	4.19/20	4.17/20	3.97/19.0	-	-	-				
18772	18382	17963	17507	17006	16450	15824	14278	12396	10209	-	-				
4.17/23	4.25/23	4.33/22	4.40/22	4.48/22	4.54/22	4.59/21	4.60/21	4.48/21	4.23/19	-	-				
19349	18972	18568	18131	17654	17131	16548	15128	13471	11141	-	-				
4.56/24	4.65/24	4.73/24	4.81/23	4.88/23	4.95/23	5.01/23	5.05/22	4.97/22	4.71/21	-	-				
20793	20443	20074	19677	19252	18793	18292	17125	15671	14067	11871	-				
5.66/27	5.75/27	5.84/26	5.93/26	6.01/26	6.09/26	6.16/26	6.26/25	6.24/25	6.13/24	5.83/23	-				
22093	21765	21420	21055	20666	20252	19805	18797	17569	16160	14373	12478				
6.79/30	6.89/30	6.98/29	7.07/29	7.17/29	7.25/29	7.34/28	7.47/28	7.52/27	7.46/27	7.27/26	6.97/26				

Power Ratings (BHP) does not include drive losses.  
 Performance certified is for installation type A - free inlet, free outlet.  
 Performance ratings do not include the effects of birdscreen in the airstream.  
 The sound ratings shown are loudness values in fan sones @ 5' (1.5m) in a hemispherical free field calculated per AMCA Standard 301. Values shown are for: Installation Type A: free inlet hemispherical sone levels.



S&P, Div. of Soler & Palau Ventilation Group, certifies that the Models TXB shown herein are licensed to bear the AMCA Seal. The ratings shown are based on test and procedures performed in accordance with AMCA Publication 211 and AMCA Publication 311 and comply with the requirement of the AMCA Certified Ratings Program.



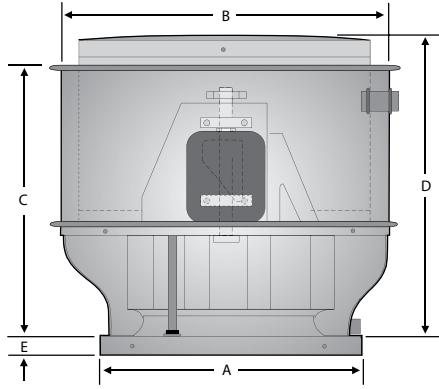




**MODEL TXB**  
BELT DRIVE CENTRIFUGAL UPBLAST ROOF EXHAUSTER



**SIZE 36 - HIGH PRESSURE**



Dimensions (in.)				
A	B	C	D	E
42-1/2	66	44	48	2-1/2

Dimensional Data				Metal Thickness			Avg. Ship Wt. (lbs.)
Damper		Roof Opening	Curb OD	Curb Cap	Wind Band	Motor Cover	
ID	OD						
36	36	37-3/4	40-3/4	.090	.050	.050	365

CFM / BHP @ Static Pressure / Sones													Catalog Number	RPM	HP	Tip Speed
1/2	5/8	3/4	1	1-1/4	1-1/2	1-3/4	2	2-1/4	2-1/2	2-3/4	3					
5889	-	-	-	-	-	-	-	-	-	-	-	-	TXBHP-36101	405	1	3784
0.83/7.6	-	-	-	-	-	-	-	-	-	-	-	-	-	-	-	-
6412	-	-	-	-	-	-	-	-	-	-	-	-	TXBHP-36102	415	1	3877
0.90/7.9	-	-	-	-	-	-	-	-	-	-	-	-	-	-	-	-
7078	-	-	-	-	-	-	-	-	-	-	-	-	TXBHP-36103	430	1	4017
1.02/8.4	-	-	-	-	-	-	-	-	-	-	-	-	-	-	-	-
7862	6415	-	-	-	-	-	-	-	-	-	-	-	TXBHP-36151	450	1-1/2	4204
1.17/9.2	1.13/9.1	-	-	-	-	-	-	-	-	-	-	-	-	-	-	-
8575	7448	5189	-	-	-	-	-	-	-	-	-	-	TXBHP-36152	470	1-1/2	4391
1.33/9.9	1.32/9.7	1.15/10.2	-	-	-	-	-	-	-	-	-	-	-	-	-	-
9240	8286	6822	-	-	-	-	-	-	-	-	-	-	TXBHP-36153	490	1-1/2	4578
1.50/10.7	1.51/10.5	1.44/10.7	-	-	-	-	-	-	-	-	-	-	-	-	-	-
9715	8860	7692	-	-	-	-	-	-	-	-	-	-	TXBHP-36201	505	2	4718
1.63/11.3	1.66/11.1	1.62/11.2	-	-	-	-	-	-	-	-	-	-	-	-	-	-
10021	9222	8166	-	-	-	-	-	-	-	-	-	-	TXBHP-36202	515	2	4811
1.72/11.8	1.75/11.5	1.74/11.5	-	-	-	-	-	-	-	-	-	-	-	-	-	-
10467	9741	8807	-	-	-	-	-	-	-	-	-	-	TXBHP-36203	530	2	4952
1.86/12.5	1.91/12.1	1.91/12.0	-	-	-	-	-	-	-	-	-	-	-	-	-	-
10760	10075	9204	5776	-	-	-	-	-	-	-	-	-	TXBHP-36204	540	2	5045
1.96/13.0	2.01/12.6	2.02/12.4	1.73/13.4	-	-	-	-	-	-	-	-	-	-	-	-	-
11335	10718	9953	7428	-	-	-	-	-	-	-	-	-	TXBHP-36301	560	3	5232
2.16/13.7	2.23/13.5	2.26/13.3	2.11/13.9	-	-	-	-	-	-	-	-	-	-	-	-	-
11899	11330	10651	8725	-	-	-	-	-	-	-	-	-	TXBHP-36302	580	3	5419
2.37/14.6	2.45/14.3	2.50/14.0	2.45/14.5	-	-	-	-	-	-	-	-	-	-	-	-	-
12456	11921	11312	9665	-	-	-	-	-	-	-	-	-	TXBHP-36303	600	3	5606
2.60/15.4	2.69/15.1	2.75/14.9	2.76/15.0	-	-	-	-	-	-	-	-	-	-	-	-	-
13005	12499	11946	10489	7767	-	-	-	-	-	-	-	-	TXBHP-36304	620	3	5792
2.85/16.3	2.94/16.0	3.01/15.7	3.06/15.6	2.79/16.5	-	-	-	-	-	-	-	-	-	-	-	-
13684	13207	12698	11484	9572	-	-	-	-	-	-	-	-	TXBHP-365001	645	5	6026
3.18/17.4	3.27/17.2	3.36/16.9	3.45/16.4	3.36/17.2	-	-	-	-	-	-	-	-	-	-	-	-
14222	13765	13283	12188	10548	-	-	-	-	-	-	-	-	TXBHP-365002	665	5	6213
3.46/18.3	3.55/18.1	3.65/17.8	3.77/17.3	3.74/17.7	-	-	-	-	-	-	-	-	-	-	-	-
14888	14454	14000	12971	11602	9428	-	-	-	-	-	-	-	TXBHP-365003	690	5	6446
3.83/19.5	3.93/19.2	4.03/19.0	4.18/18.5	4.22/19.2	3.99/20	-	-	-	-	-	-	-	-	-	-	-
15417	14998	14564	13608	12374	10667	-	-	-	-	-	-	-	TXBHP-365004	710	5	6633
4.15/20	4.25/20	4.36/19.9	4.53/19.4	4.6/19.1	4.5/19.8	-	-	-	-	-	-	-	-	-	-	-
16074	15673	15259	14372	13277	11884	9319	-	-	-	-	-	-	TXBHP-365005	735	5	6867
4.57/22	4.68/21	4.79/21	4.98/21	5.10/20	5.07/21	4.67/21	-	-	-	-	-	-	-	-	-	-
17506	17136	16761	15974	15095	14005	12622	10338	-	-	-	-	-	TXBHP-367501	790	7-1/2	7381
5.60/24	5.72/24	5.84/24	6.06/23	6.25/23	6.34/22	6.29/23	5.88/24	-	-	-	-	-	-	-	-	-
18794	18449	18099	17379	16608	15721	14638	13290	11142	-	-	-	-	TXBHP-367502	840	7-1/2	7848
6.66/26	6.79/26	6.92/26	7.16/26	7.39/25	7.56/25	7.62/25	7.54/25	7.12/26	-	-	-	-	-	-	-	-
19817	19488	19157	18479	17767	16993	16067	14959	13585	11274	-	-	-	TXBHP-361001	880	10	8222
7.61/28	7.74/28	7.87/28	8.14/28	8.39/27	8.61/27	8.73/26	8.75/27	8.63/27	8.06/28	-	-	-	-	-	-	-
20834	20520	20205	19563	18897	18188	17392	16453	15337	11556	8370	-	-	TXBHP-361002	920	10	8595
8.64/31	8.78/30	8.92/30	9.20/30	9.47/30	9.71/29	9.90/29	9.99/29	9.99/29	9.13/29	7.79/30	-	-	-	-	-	-

Power Ratings (BHP) does not include drive losses.  
Performance certified is for installation type A - free inlet, free outlet.  
Performance ratings do not include the effects of birdscreen in the airstream.  
The sound ratings shown are loudness values in fan sones @ 5' (1.5m) in a hemispherical free field calculated per AMCA Standard 301. Values shown are for Installation Type A: free inlet hemispherical sone levels.



S&P, Div. of Soler & Palau Ventilation Group, certifies that the Models TXB shown herein are licensed to bear the AMCA Seal. The ratings shown are based on test and procedures performed in accordance with AMCA Publication 211 and AMCA Publication 311 and comply with the requirement of the AMCA Certified Ratings Program.



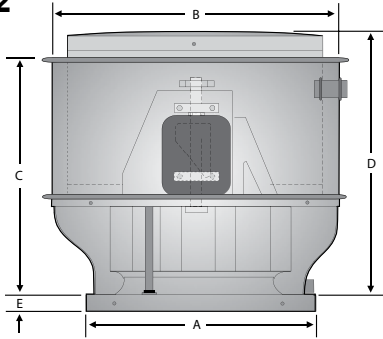
UL STANDARD 705 for Electrical  
UL STANDARD 762 for Grease Removal



**MODEL TXB**  
BELT DRIVE CENTRIFUGAL UPBLAST ROOF EXHAUSTER



**SIZE 42**



Dimensions (in.)				
A	B	C	D	E
55	72-1/2	48	52	2-1/2

Dimensional Data				Metal Thickness			Avg. Ship Wt. (lbs.)
Damper		Roof Opening	Curb OD	Curb Cap	Wind Band	Motor Cover	
ID	OD						
48	48	50-1/4	53-1/4	.100	.050	.050	385

CFM / BHP @ Static Pressure / Sones													RPM	HP	Tip Speed
0	1/8	1/4	3/8	1/2	5/8	3/4	1	1-1/4	1-1/2	1-3/4	2	Catalog Number			
10306	7988	-	-	-	-	-	-	-	-	-	-	TXB-42501	200	1/2	2199
0.28/6.8	0.33/6.8	-	-	-	-	-	-	-	-	-	-	TXB-42502	230	1/2	2829
11852	10011	6471	-	-	-	-	-	-	-	-	-	TXB-42751	245	3/4	2694
0.43/8.2	0.49/8.2	0.45/8.2	-	-	-	-	-	-	-	-	-	TXB-42752	265	3/4	2914
12625	10926	7540	-	-	-	-	-	-	-	-	-	TXB-42101	280	1	3079
0.52/9.0	0.59/8.9	0.57/8.8	-	-	-	-	-	-	-	-	-	TXB-42102	290	1	3189
13656	12109	9589	-	-	-	-	-	-	-	-	-	TXB-42151	300	1-1/2	3299
0.66/10.0	0.74/9.9	0.76/9.8	-	-	-	-	-	-	-	-	-	TXB-42152	315	1-1/2	3464
14429	12977	11065	7791	-	-	-	-	-	-	-	-	TXB-42153	330	1-1/2	3628
0.78/10.8	0.86/10.6	0.91/10.5	0.81/10.4	-	-	-	-	-	-	-	-	TXB-42201	340	2	3738
14944	13549	11868	8543	-	-	-	-	-	-	-	-	TXB-42202	355	2	3903
0.86/11.4	0.95/11.2	1.01/11.0	0.93/10.8	-	-	-	-	-	-	-	-	TXB-42203	365	2	4013
15459	14116	12546	9230	-	-	-	-	-	-	-	-	TXB-42301	380	3	4178
0.96/11.9	1.05/11.8	1.11/11.6	1.04/11.4	-	-	-	-	-	-	-	-	TXB-42302	395	3	4343
16232	14959	13514	10696	8017	-	-	-	-	-	-	-	TXB-42303	410	3	4508
1.11/12.6	1.20/12.4	1.28/12.3	1.26/12.2	1.12/12.0	-	-	-	-	-	-	-	TXB-425001	420	5	4618
17005	15795	14449	12322	9513	-	-	-	-	-	-	-	TXB-425002	430	5	4728
1.27/13.4	1.37/13.3	1.46/13.1	1.49/13.0	1.35/12.8	-	-	-	-	-	-	-	TXB-425003	445	5	4893
17521	16349	15060	13278	10223	6983	-	-	-	-	-	-	TXB-425004	455	5	5003
1.39/14.0	1.50/13.8	1.58/13.7	1.63/13.5	1.50/13.3	1.22/13.0	-	-	-	-	-	-	TXB-425005	470	5	5168
18294	17174	15960	14521	11441	9452	-	-	-	-	-	-	TXB-425006	480	5	5278
1.59/14.9	1.69/14.7	1.79/14.6	1.86/14.4	1.76/14.1	1.92/13.8	-	-	-	-	-	-	TXB-427501	515	7-1/2	5663
18809	17772	16553	15207	12488	10337	6123	-	-	-	-	-	TXB-427502	530	7-1/2	5828
1.72/15.4	1.83/15.3	1.93/15.1	2.01/15.0	1.96/14.8	1.81/14.3	1.39/14.0	-	-	-	-	-	TXB-427503	530	7-1/2	6047
19582	18540	17430	16182	14122	11420	8695	-	-	-	-	-	TXB-427504	565	7-1/2	6212
1.95/16.3	2.06/16.1	2.17/15.9	2.25/15.8	2.27/15.6	2.10/15.2	1.85/14.8	-	-	-	-	-				
20355	19354	18296	17129	15546	12609	10936	-	-	-	-	-				
2.18/17.2	2.31/17.0	2.42/16.8	2.51/16.6	2.56/16.5	2.42/16.2	2.27/15.7	-	-	-	-	-				
21128	20165	19154	18055	16774	14170	12073	-	-	-	-	-				
2.44/18.0	2.57/17.8	2.68/17.7	2.79/17.5	2.86/17.3	2.79/17.1	2.61/16.6	-	-	-	-	-				
21643	20705	19722	18661	17462	15269	12766	6656	-	-	-	-				
2.63/18.6	2.75/18.4	2.87/18.2	2.98/18.1	3.07/17.9	3.04/17.7	2.85/17.3	2.09/16.4	-	-	-	-				
22159	21243	20286	19262	18119	16303	13562	8822	-	-	-	-				
2.82/19.3	2.95/19.1	3.07/18.9	3.18/18.7	3.28/18.5	3.29/1.83	3.11/18.0	2.47/17.0	-	-	-	-				
22931	22048	21129	20153	19082	17681	15074	11238	-	-	-	-				
3.12/20	3.26/20	3.39/19.8	3.51/19.6	3.61/19.4	3.67/19.3	3.54/19.0	3.14/18.0	-	-	-	-				
23447	22538	21687	20740	19710	18484	16173	12535	-	-	-	-				
3.34/21	3.48/21	3.61/20	3.73/20	3.84/20	3.91/19.9	3.85/19.7	3.47/18.6	-	-	-	-				
24220	23384	22521	21614	20638	19551	17756	13694	-	-	-	-				
3.68/22	3.83/22	3.96/21	4.09/21	4.20/21	4.29/21	4.3/21	3.92/19.7	-	-	-	-				
24735	23917	23074	22181	21247	20208	18703	14400	9783	-	-	-				
3.92/22	4.07/22	4.21/22	4.34/22	4.46/22	4.56/21	4.60/21	4.23/20	3.41/19.0	-	-	-				
25508	24176	23901	23052	22152	21173	19975	15519	12017	-	-	-				
4.30/23	4.45/23	4.60/23	4.74/23	4.86/23	4.97/22	5.04/22	4.73/22	4.24/20	-	-	-				
26539	25778	24997	24188	23339	22429	21427	17525	14525	-	-	-				
4.84/25	5.00/25	5.15/24	5.30/24	5.43/24	5.55/24	5.65/24	5.50/23	5.08/22	-	-	-				
27312	26573	25817	25035	24218	23351	22410	19179	15634	11323	-	-				
5.28/26	5.44/25	5.60/25	5.75/25	5.89/25	6.02/25	6.13/25	6.11/24	5.65/23	4.74/22	-	-				
28342	27631	26904	26152	25378	24561	23684	21215	17031	14648	-	-				
5.90/27	6.07/27	6.23/26	6.39/26	6.54/26	6.68/26	6.80/26	6.91/25	6.45/24	6.04/24	-	-				
29115	28423	27717	26992	26241	25455	24621	22538	18467	15978	11004	-				
6.39/28	6.57/28	6.74/27	6.90/27	7.06/27	7.20/27	7.33/27	7.50/26	7.15/26	6.72/25	5.45/24	-				

Power Ratings (BHP) does not include drive losses.  
 Performance certified is for installation type A - free inlet, free outlet.  
 Performance ratings do not include the effects of birdscreen in the airstream.  
 The sound ratings shown are loudness values in fan sones @ 5' (1.5m) in a hemispherical free field calculated per AMCA Standard 301. Values shown are for Installation Type A: free inlet hemispherical sone levels



S&P, Div. of Soler & Palau Ventilation Group, certifies that the Models TXB shown herein are licensed to bear the AMCA Seal. The ratings shown are based on test and procedures performed in accordance with AMCA Publication 211 and AMCA Publication 311 and comply with the requirement of the AMCA Certified Ratings Program.



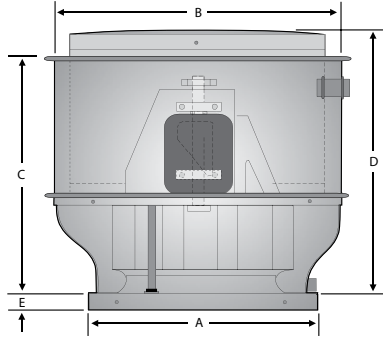
UL STANDARD 705 for Electrical  
 UL STANDARD 762 for Grease Removal



**MODEL TXB**  
BELT DRIVE CENTRIFUGAL UPBLAST ROOF EXHAUSTER



**SIZE 48**



Dimensions (in.)				
A	B	C	D	E
55	78-3/4	52	55	2-1/2

Dimensional Data				Metal Thickness			Avg. Ship Wt. (lbs.)
Damper		Roof Opening	Curb OD	Curb Cap	Wind Band	Motor Cover	
ID	OD						
48	48	50-1/4	53-1/4	.100	.050	.050	490

CFM / BHP @ Static Pressure / Sones													RPM	HP	Tip Speed
0	1/8	1/4	3/8	1/2	5/8	3/4	1	1-1/4	1-1/2	1-3/4	2	Catalog Number			
11713	8527											TXB-48501	170	1/2	2114
0.33/3.5	0.37/3.1	-	-	-	-	-	-	-	-	-	-				
12402	9664											TXB-48502	180	1/2	2238
0.39/3.9	0.44/3.6	-	-	-	-	-	-	-	-	-	-				
13091	10066											TXB-48503	190	1/2	2363
0.46/4.3	0.52/4.0	-	-	-	-	-	-	-	-	-	-				
13091	10666											TXB-48751	205	3/4	2549
0.46/4.3	0.52/4.7	-	-	-	-	-	-	-	-	-	-				
14813	12737	8924										TXB-48752	215	3/4	2674
0.67/5.4	0.75/5.2	0.70/5.2	-	-	-	-	-	-	-	-	-				
15847	13896	10899										TXB-48101	230	1	2860
0.82/6.1	0.91/5.9	0.90/5.6	-	-	-	-	-	-	-	-	-				
16536	14656	12014										TXB-48102	240	1	2984
0.93/6.0	1.02/6.3	1.04/6.1	-	-	-	-	-	-	-	-	-				
17225	15408	13163										TXB-48151	250	1-1/2	3109
1.05/7.0	1.15/6.7	1.19/6.5	-	-	-	-	-	-	-	-	-				
17914	16154	14236	10299									TXB-48152	260	1-1/2	3233
1.18/7.4	1.29/7.2	1.34/7.0	1.22/7.0	-	-	-	-	-	-	-	-				
18603	16895	15206	11919									TXB-48153	270	1-1/2	3358
1.32/7.9	1.44/7.6	1.50/7.4	1.41/7.3	-	-	-	-	-	-	-	-				
19636	17999	16495	13726	9349								TXB-48201	285	2	3544
1.56/8.5	1.68/8.3	1.75/8.1	1.72/7.9	1.48/8.3	-	-	-	-	-	-	-				
20670	19097	17694	15399	11849								TXB-48202	300	2	3731
1.87/9.2	1.95/9.0	2.03/8.8	2.04/8.5	1.87/8.6	-	-	-	-	-	-	-				
21359	19825	18476	16546	13528	8885							TXB-48301	310	3	3855
2.00/9.8	2.14/9.5	2.23/9.3	2.26/9.1	2.12/9.0	1.77/9.9	-	-	-	-	-	-				
22048	20551	19249	17592	14793	10661							TXB-48302	320	3	3979
2.20/10.3	2.35/10.1	2.44/9.8	2.49/9.6	2.39/9.5	2.11/10.0	-	-	-	-	-	-				
22737	21275	20013	18560	15952	12193							TXB-48303	330	3	4104
2.42/10.8	2.57/10.6	2.67/10.4	2.73/10.2	2.67/10.0	2.44/10.3	-	-	-	-	-	-				
23426	21997	20771	19458	17054	14121	9830						TXB-48304	340	3	4228
2.64/11.5	2.80/11.2	2.91/11.0	2.98/10.8	2.95/10.6	2.76/10.7	2.34/10.7	-	-	-	-	-				
24459	23071	21898	20682	18779	16204	12357						TXB-485001	355	5	4415
3.01/12.4	3.18/12.1	3.29/11.8	3.38/11.6	3.40/11.5	3.25/11.4	2.95/12.0	-	-	-	-	-				
25837	24513	23387	22266	20855	18507	15915						TXB-485002	375	5	4663
3.55/13.8	3.73/13.5	3.86/13.3	3.95/13.1	4.01/13.0	3.94/12.9	3.72/13.0	-	-	-	-	-				
26871	25587	24495	23428	22250	20201	17886	10701					TXB-485003	390	5	4850
3.99/14.8	4.18/14.6	4.32/14.5	4.42/14.3	4.50/14.2	4.49/14.1	4.31/14.1	3.44/15.0	-	-	-	-				
27904	26658	25598	24574	23485	21877	19631	13520					TXB-485004	405	5	5036
4.47/15.8	4.67/15.7	4.82/15.5	4.93/15.4	5.02/15.4	5.05/15.4	4.94/15.5	4.28/15.6	-	-	-	-				
29282	28083	27061	26086	25081	23863	21866	16901	8340				TXB-487501	425	7-1/2	5285
5.16/17.3	5.38/17.2	5.54/17.1	5.66/17.1	5.77/17.0	5.84/17.1	5.84/17.0	5.33/17.0	3.81/17.8	-	-	-				
30316	29150	28153	27209	26253	25207	23573	19343	12941				TXB-487502	440	7-1/2	5471
5.73/18.5	5.95/18.4	6.12/18.3	6.26/18.3	6.37/18.1	6.46/18	6.48/17.8	6.09/17.7	5.12/18.4	-	-	-				
31694	30569	29604	29697	27792	26837	25611	21797	16210				TXB-487503	460	7-1/2	5720
6.55/19.9	6.78/19.8	6.96/19.6	7.12/19.4	7.24/19.3	7.3/19.1	7.40/19.0	7.17/18.7	6.47/19.2	-	-	-				
33072	31984	31049	30174	29311	28422	27448	24028	19817	13705			TXB-481001	480	10	5969
7.44/21	7.69/21	7.88/21	8.05/21	8.18/21	8.30/20	8.39/20	8.31/19.9	7.75/20	6.55/20.9	-	-				
34105	33045	32130	31276	30441	29589	28681	25750	22031	16402			TXB-481002	495	10	6155
8.16/22	8.42/22	8.62/22	8.79/22	8.94/21	9.07/21	9.17/21	9.19/21	8.72/21	7.79/21	-	-				
35139	34105	33209	32375	31563	30747	29887	27429	23870	18697	12370		TXB-481003	510	10	6342
8.92/23	9.19/23	9.40/23	9.59/23	9.74/22	9.88/22	9.99/22	10.09/22	9.73/21	8.99/22	7.27/23	-				

Power Ratings (BHP) does not include drive losses.  
Performance certified is for installation type A - free inlet, free outlet.  
Performance ratings do not include the effects of birdscreen in the airstream.  
The sound ratings shown are loudness values in fan sones @ 5' (1.5m) in a hemispherical free field calculated per AMCA Standard 301. Values shown are for:  
Installation Type A: free inlet hemispherical sone levels



S&P, Div. of Soler & Palau Ventilation Group, certifies that the Models TXB shown herein are licensed to bear the AMCA Seal. The ratings shown are based on test and procedures performed in accordance with AMCA Publication 211 and AMCA Publication 311 and comply with the requirement of the AMCA Certified Ratings Program.



UL STANDARD 705 for Electrical  
UL STANDARD 762 for Grease Removal